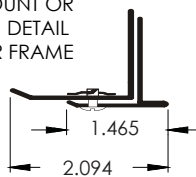


SURFACE MOUNT OR  
 T-BAR LAY-IN DETAIL  
 1000 PLASTER FRAME

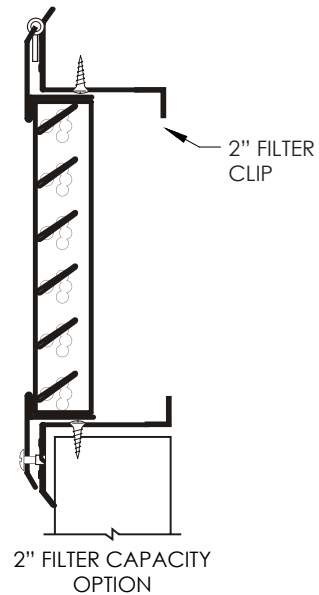
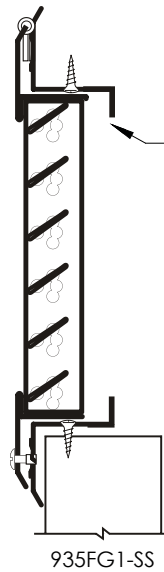


**Standard Features:**

- Type 304 stainless steel
- Fixed airfoil blades at 45° are parallel to longest dimension
- Blades are set on 3/4" centers
- Hinged face with hinges on top
- Holds up to a 1" filter, not included
- Satin polished finish

**Options:**

- 2" Filter capacity (935FG2-SS)
- T-Bar application
- Type 316 stainless steel
- Alternative hinge and latch options – see Filter Grille Order Supplement form on website
- Opposed blade damper
- Square to round transition collar
- 1/2" centers



**Additional Information:**

**Submittal Notes**

Project / Location:	
Engineer:	
Architect:	
Contractor:	