

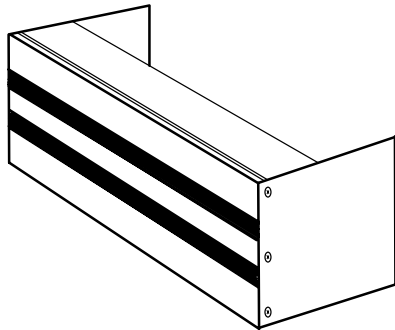


CSW Industrials Companies

Linear Slot Diffuser Submittal

T-Bar – Narrow Frame – Diffuser Only (Type 1)

MODEL: LSD -T1-DO



Standard Features:

- Extruded aluminum slot diffuser
- T-Bar mounting frame style with 1/2" flange and flat end caps
- Minimum length 6"
- Unlimited continuous sections available with butt joints
- Soft White

Manufacturing Requirements:

Length _____ feet inches

Supply – Black adjustable pattern controller allows full 180° adjustment and control of airflow (LSD-T1-S)

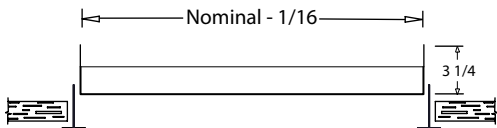
Return – less pattern controller (LSD-T1-R)

Number of slots: 1 2 3 4 5 6 7 8

Slot Width: 1/2" 3/4" 1"

Options:

Flanged end caps



Finishes:

STANDARD COLORS

- Soft White
- Driftwood Tan

DESIGNER COLORS

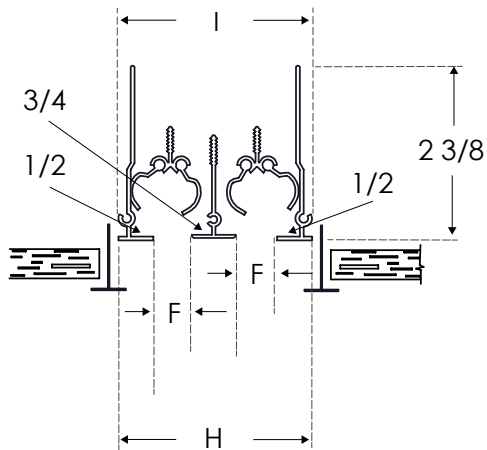
- Black
- Bronze
- Storm Gray
- Cement Gray

- Aluminum Paint
- Coffee Tan
- Warm White
- Glossy White

Dimensions (in inches)

# OF SLOTS	SLOT WIDTH (F)	OVERALL WIDTH (H)	WIDTH OF BACK (I)	# OF SLOTS	SLOT WIDTH (F)	OVERALL WIDTH (H)	WIDTH OF BACK (I)
1	1/2	1 1/2	1 1/2	5	1/2	6 1/2	6 1/2
	3/4	1 3/4	1 3/4		3/4	7 3/4	7 3/4
	1	2	2		1	9	9
2	1/2	2 3/4	2 3/4	6	1/2	7 3/4	7 3/4
	3/4	3 1/4	3 1/4		3/4	9 1/4	9 1/4
	1	3 3/4	3 3/4		1	10 3/4	10 3/4
3	1/2	4	4	7	1/2	9	9
	3/4	4 3/4	4 3/4		3/4	10 3/4	10 3/4
	1	5 1/2	5 1/2		1	12 1/2	12 1/2
4	1/2	5 1/4	5 1/4	8	1/2	10 1/4	10 1/4
	3/4	6 1/4	6 1/4		3/4	12 1/4	12 1/4
	1	7 1/4	7 1/4		1	14 1/4	14 1/4

Note: ID lengths 1/16" undersized nominal



LSD-T1
T-BAR NARROW FRAME

Additional Information:

Submittal Notes

Project / Location:	
Engineer:	
Architect:	
Contractor:	

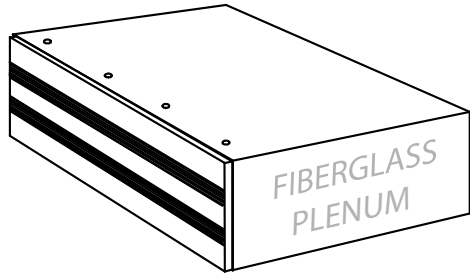


CSW Industrials Companies

Linear Slot Diffuser Submittal

T-Bar – Narrow Frame with Fiberglass Plenum (Type 1)

MODEL: LSD-T1-FP



Standard Features:

- Extruded aluminum slot diffuser
- T-Bar mounting frame style with 1/2" flange and flat end caps
- Rigid fiberglass plenum, allows for multiple locations of field installed spin in collar (collar provided by others)
- Fiberglass plenum ships installed on diffuser
- Minimum length 12"
- Unlimited continuous sections available with butt joints
- Soft White

Manufacturing Requirements:

Length _____ feet _____ inches

Supply – Black adjustable pattern controller allows full 180° adjustment and control of airflow (LSD-T1-S)

Return – less pattern controller (LSD-T1-R)

Number of slots:	1	2	3	4	5	6	7	8
------------------	---	---	---	---	---	---	---	---

Slot Width:	1/2"	3/4"	1"
-------------	------	------	----

Options:

Flanged end caps

Finishes:

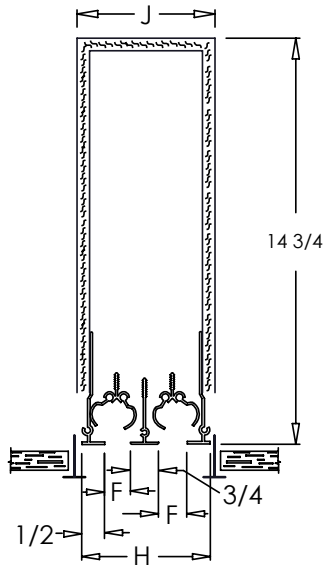
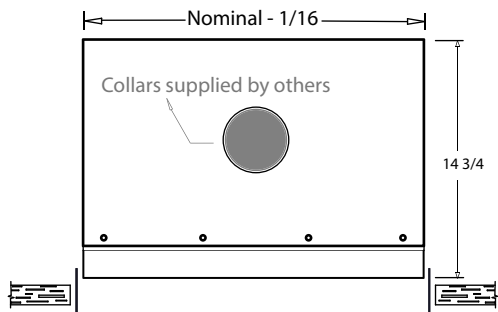
STANDARD COLORS

- Soft White
- Driftwood Tan

DESIGNER COLORS

- Black
- Bronze
- Storm Gray
- Cement Gray

- Aluminum Paint
- Coffee Tan
- Warm White
- Glossy White



LSD-T1-FP
T-BAR NARROW FRAME

Dimensions (in inches)

# OF SLOTS	SLOT WIDTH (F)	OVERALL WIDTH (H)	PLENUM WIDTH (J)	# OF SLOTS	SLOT WIDTH (F)	OVERALL WIDTH (H)	PLENUM WIDTH (J)
1	1/2	1 1/2	2	5	1/2	6 1/2	7
	3/4	1 3/4	2 1/4		3/4	7 3/4	8 1/4
	1	2	2 1/2		1	9	9 1/2
2	1/2	2 3/4	3 1/4	6	1/2	7 3/4	8 1/4
	3/4	3 1/4	3 3/4		3/4	9 1/4	9 3/4
	1	3 3/4	4 1/4		1	10 3/4	11 1/4
3	1/2	4	4 1/2	7	1/2	9	9 1/2
	3/4	4 3/4	5 1/4		3/4	10 3/4	11 1/4
	1	5 1/2	6		1	12 1/2	13
4	1/2	5 1/4	5 3/4	8	1/2	10 1/4	10 3/4
	3/4	6 1/4	6 3/4		3/4	12 1/4	12 3/4
	1	7 1/4	7 3/4		1	14 1/4	14 3/4

Note ID lengths 1/16" undersized nominal

Additional Information:

Submittal Notes

Project / Location:	
Engineer:	
Architect:	
Contractor:	

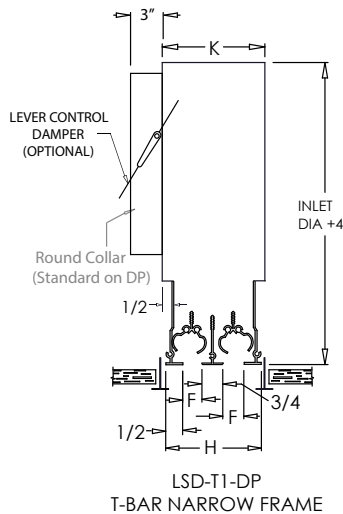
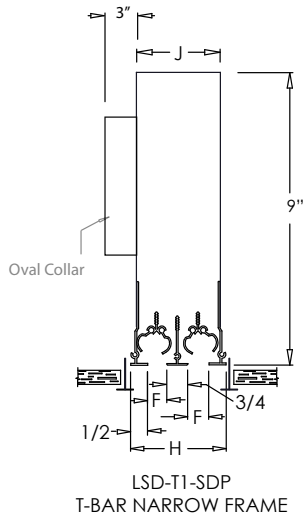
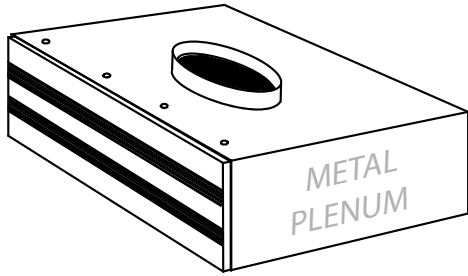


CSW Industrials Companies

Linear Slot Diffuser Submittal

T-Bar – Narrow Frame with Metal Plenum (Type 1)

MODEL: LSD-T1-SDP, LSD-T1-DP



LINEAR SLOT DIFFUSER Standard Features:

- Extruded aluminum slot diffuser
- T-Bar mounting frame style with 1/2" flange and flat end caps
- Minimum length 12"
- Unlimited continuous sections available with butt joints
- Soft White

Manufacturing Requirements:

Length _____ feet inches

Supply – Black adjustable pattern controller allows full 180° adjustment and control of airflow (LSD-T1-S)

Return – less pattern controller (LSD-T1-R)

Number of slots: 1 2 3 4 5 6 7 8

Slot Width: 1/2" 3/4" 1"

Options:

Flanged end caps

Optional Finishes:

Soft White

Driftwood Tan

Designer Color _____

METAL PLENUM Standard Features

- 24 gauge galvanized steel plenum
- Minimum length 1' and maximum single piece length is 6'
- Metal plenum requires field assembly to connect to the diffuser

Manufacturing Requirements:

Short Distribution Plenum – SDP (standard, height set at 9")

Distribution Plenum – DP (height = inlet diameter + 4")

1/2" fiberglass internal insulation

No insulation

Oval inlet sizes: 5" 6" 7" 8" 10" 12" 14" 16"

Round inlet sizes (SDP): 5" 6"

Round inlet sizes (DP): 5" 6" 7" 8" 10" 12" 14" 16"

No inlet (DP with no inlet will have a standard height of 14")

Options:

Twist controlled damper

Dimensions (in inches)									
# OF SLOTS	SLOT WIDTH (F)	OVERALL WIDTH (H)	SDP WIDTH (J)	DP WIDTH (K)	# OF SLOTS	SLOT WIDTH (F)	OVERALL WIDTH (H)	SDP WIDTH (J)	DP WIDTH (K)
1	1/2	1 1/2	1 5/8	2 5/8	5	1/2	6 1/2	6 5/8	7 5/8
	3/4	1 3/4	1 7/8	2 7/8		3/4	7 3/4	7 7/8	8 7/8
	1	2	2 1/8	3 1/8		1	9	9 1/8	10 1/8
2	1/2	2 3/4	2 7/8	3 7/8	6	1/2	7 3/4	7 7/8	8 7/8
	3/4	3 1/4	3 3/8	4 3/8		3/4	9 1/4	9 3/8	10 3/8
	1	3 3/4	3 7/8	4 7/8		1	10 3/4	10 7/8	11 7/8
3	1/2	4	4 1/8	5 1/8	7	1/2	9	9 1/8	10 1/8
	3/4	4 3/4	4 7/8	5 7/8		3/4	10 3/4	10 7/8	11 7/8
	1	5 1/2	5 5/8	6 5/8		1	12 1/2	12 5/8	13 5/8
4	1/2	5 1/4	5 3/8	6 3/8	8	1/2	10 1/4	10 3/8	11 3/8
	3/4	6 1/4	6 3/8	7 3/8		3/4	12 1/4	12 3/8	13 3/8
	1	7 1/4	7 3/8	8 3/8		1	14 1/4	14 3/8	15 3/8

Note: Diffuser ID lengths 1/16" undersized nominal. Metal plenum manufactured to nominal dimensions. If duct opening is 48", plenum will be 48" and diffuser will be 47-15/16".

Additional Information:

Submittal Notes

Project / Location:	
Engineer:	
Architect:	
Contractor:	

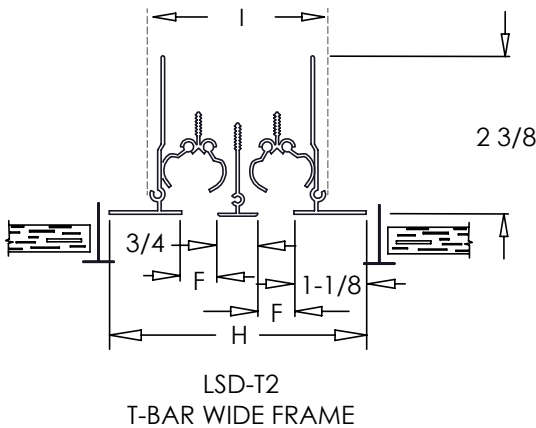
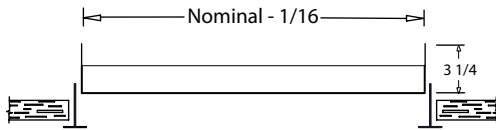
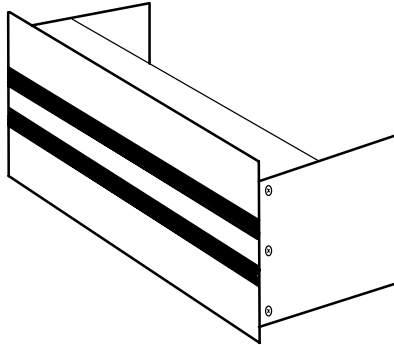


CSW Industrials Companies

Linear Slot Diffuser Submittal

T-Bar – Wide Frame – Diffuser Only (Type 2)

MODEL: LSD -T2-DO



Standard Features:

- Extruded aluminum slot diffuser
- T-Bar mounting frame style with 1 1/8" flange and flat end caps
- Minimum length 6"
- Unlimited continuous sections available with butt joints
- Soft White

Manufacturing Requirements:

Length _____ feet inches

Supply – Black adjustable pattern controller allows full 180° adjustment and control of airflow (LSD-T2-S)

Return – less pattern controller (LSD-T2-R)

Number of slots: 1 2 3 4 5 6 7 8

Slot Width: 1/2" 3/4" 1"

Options:

Flanged end caps

Finishes:

STANDARD COLORS

- Soft White
- Driftwood Tan

DESIGNER COLORS

- Black
- Bronze
- Storm Gray
- Cement Gray

- Aluminum Paint
- Coffee Tan
- Warm White
- Glossy White

Dimensions (in inches)

# OF SLOTS	SLOT WIDTH (F)	OVERALL WIDTH (H)	WIDTH OF BACK (I)	# OF SLOTS	SLOT WIDTH (F)	OVERALL WIDTH (H)	WIDTH OF BACK (I)
1	1/2	2 3/4	1 1/2	5	1/2	7 3/4	6 1/2
	3/4	3	1 3/4		3/4	9	7 3/4
	1	3 1/4	2		1	10 1/4	9
2	1/2	4	2 3/4	6	1/2	9	7 3/4
	3/4	4 1/2	3 1/4		3/4	10 1/2	9 1/4
	1	5	3 3/4		1	12	10 3/4
3	1/2	5 1/4	4	7	1/2	10 1/4	9
	3/4	6	4 3/4		3/4	12	10 3/4
	1	6 3/4	5 1/2		1	13 3/4	12 1/2
4	1/2	6 1/2	5 1/4	8	1/2	11 1/2	10 1/4
	3/4	7 1/2	6 1/4		3/4	13 1/2	12 1/4
	1	8 1/2	7 1/4		1	15 1/2	14 1/4

Note ID lengths 1/16" undersized nominal

Additional Information:

Submittal Notes

Project / Location:

Engineer:

Architect:

Contractor:

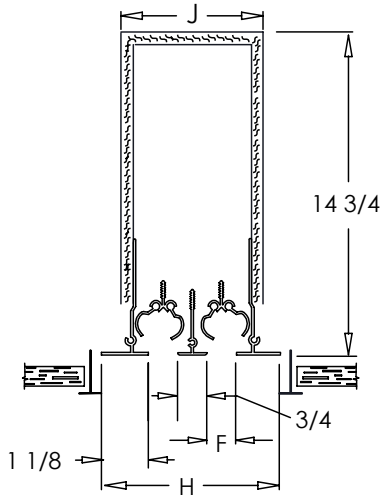
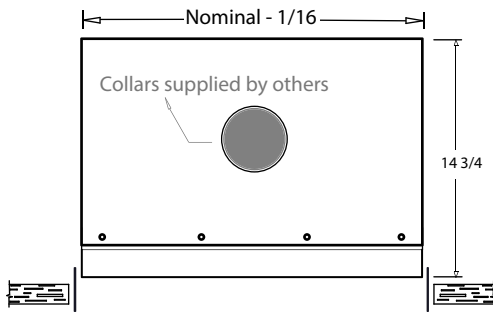
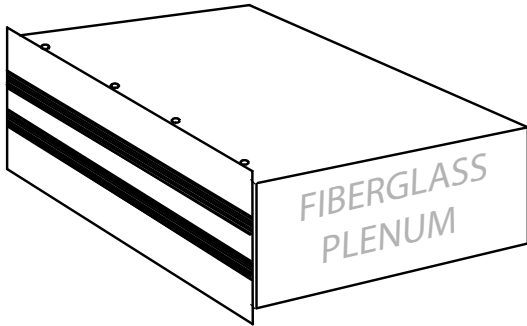


CSW Industrials Companies

Linear Slot Diffuser Submittal

T-Bar – Wide Frame with Fiberglass Plenum (Type 2)

MODEL: LSD-T2-FP



LSD-T2-FP
T-BAR WIDE FRAME

Standard Features:

- Extruded aluminum slot diffuser
- T-Bar mounting frame style with 1 1/8" flange and flat end caps
- Rigid fiberglass plenum, allows for multiple locations of field installed spin in collar (collar provided by others)
- Fiberglass plenum ships installed on diffuser
- Minimum length 12"
- Unlimited continuous sections available with butt joints
- Soft White

Manufacturing Requirements:

Length _____ feet _____ inches

Supply – Black adjustable pattern controller allows full 180° adjustment and control of airflow (LSD-T2-S)

Return – less pattern controller (LSD-T2-R)

Number of slots: 1 2 3 4 5 6 7 8

Slot Width: 1/2" 3/4" 1"

Options:

Flanged end caps

Finishes:

STANDARD COLORS

- Soft White
- Driftwood Tan

DESIGNER COLORS

- Black
- Bronze
- Storm Gray
- Cement Gray

- Aluminum Paint
- Coffee Tan
- Warm White
- Glossy White

Dimensions (in inches)

# OF SLOTS	SLOT WIDTH (F)	OVERALL WIDTH (H)	PLENUM WIDTH (J)	# OF SLOTS	SLOT WIDTH (F)	OVERALL WIDTH (H)	PLENUM WIDTH (J)
1	1/2	2 3/4	2	5	1/2	7 3/4	7
	3/4	3	2 1/4		3/4	9	8 1/4
	1	3 1/4	2 1/2		1	10 1/4	9 1/2
2	1/2	4	3 1/4	6	1/2	9	8 1/4
	3/4	4 1/2	3 3/4		3/4	10 1/2	9 3/4
	1	5	4 1/4		1	12	11 1/4
3	1/2	5 1/4	4 1/2	7	1/2	10 1/4	9 1/2
	3/4	6	5 1/4		3/4	12	11 1/4
	1	6 3/4	6		1	13 3/4	13
4	1/2	6 1/2	5 3/4	8	1/2	11 1/2	10 3/4
	3/4	7 1/2	6 3/4		3/4	13 1/2	12 3/4
	1	8 1/2	7 3/4		1	15 1/2	14 3/4

Note ID lengths 1/16" undersized nominal

Additional Information:

Submittal Notes

Project / Location:	
Engineer:	
Architect:	
Contractor:	

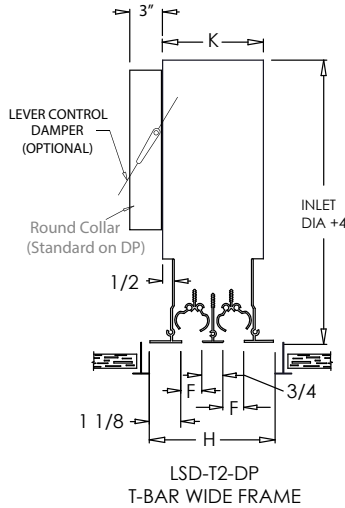
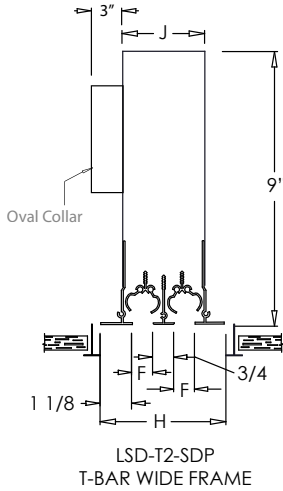
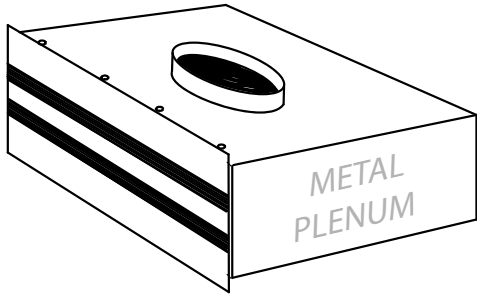


CSW Industrials Companies

Linear Slot Diffuser Submittal

T-Bar – Wide Frame with Metal Plenum (Type 2)

MODEL: LSD-T2-SDP, LSD-T2-DP



LINEAR SLOT DIFFUSER Standard Features:

- Extruded aluminum slot diffuser
- T-Bar mounting frame style with 1 1/8" flange and flat end caps
- Minimum length 12"
- Unlimited continuous sections available with butt joints
- Soft White

Manufacturing Requirements:

Length _____ feet inches

Supply – Black adjustable pattern controller allows full 180° adjustment and control of airflow (LSD-T2-S)

Return – less pattern controller (LSD-T2-R)

Number of slots: 1 2 3 4 5 6 7 8

Slot Width: 1/2" 3/4" 1"

Options:

Flanged end caps

Optional Finishes:

Soft White

Designer Color _____

Driftwood Tan

METAL PLENUM Standard Features

- 24 gauge galvanized steel plenum
- Minimum length 1' and maximum single piece length is 6'
- Metal plenum requires field assembly to connect to the diffuser

Manufacturing Requirements:

Short Distribution Plenum – SDP (standard, height set at 9")

Distribution Plenum – DP (height = inlet diameter + 4")

1/2" fiberglass internal insulation

No insulation

Oval inlet sizes: 5" 6" 7" 8" 10" 12" 14" 16"

Round inlet sizes (SDP): 5" 6"

Round inlet sizes (DP): 5" 6" 7" 8" 10" 12" 14" 16"

No inlet (DP with no inlet will have a standard height of 14")

Options:

Twist controlled damper

Dimensions (in inches)

# OF SLOTS	SLOT WIDTH (F)	OVERALL WIDTH (H)	SDP WIDTH (J)	DP WIDTH (K)	# OF SLOTS	SLOT WIDTH (F)	OVERALL WIDTH (H)	SDP WIDTH (J)	DP WIDTH (K)
1	1/2	2 3/4	1 5/8	2 5/8	5	1/2	7 3/4	6 5/8	7 5/8
	3/4	3	1 7/8	2 7/8		3/4	9	7 7/8	8 7/8
	1	3 1/4	2 1/8	3 1/8		1	10 1/4	9 1/8	10 1/8
2	1/2	4	2 7/8	3 7/8	6	1/2	9	7 7/8	8 7/8
	3/4	4 1/2	3 3/8	4 3/8		3/4	10 1/2	9 3/8	10 3/8
	1	5	3 7/8	4 7/8		1	12	10 7/8	11 7/8
3	1/2	5 1/4	4 1/8	5 1/8	7	1/2	10 1/4	9 1/8	10 1/8
	3/4	6	4 7/8	5 7/8		3/4	12	10 7/8	11 7/8
	1	6 3/4	5 5/8	6 5/8		1	13 3/4	12 5/8	13 5/8
4	1/2	6 1/2	5 3/8	6 3/8	8	1/2	11 1/2	10 3/8	11 3/8
	3/4	7 1/2	6 3/8	7 3/8		3/4	13 1/2	12 3/8	13 3/8
	1	8 1/2	7 3/8	8 3/8		1	15 1/2	14 3/8	15 3/8

Note: Diffuser ID lengths 1/16" undersized nominal. Metal plenum manufactured to nominal dimensions. If duct opening is 48", plenum will be 48" and diffuser will be 47-15/16".

Additional Information:

Submittal Notes

Project / Location:

Engineer:

Architect:

Contractor:

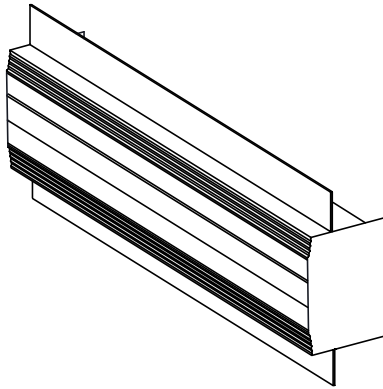


CSW Industrials Companies

Linear Slot Diffuser Submittal

Tape & Mud Frame – Diffuser Only (Type 3)

MODEL: LSD-T3-DO



Standard Features:

- Extruded aluminum slot diffuser
- Tape & Mud flange for frameless and flush installation
- Designed for 1/2" or 5/8" drywall application
- Minimum length 6"
- Unlimited continuous sections available with butt joints
- Soft White

Manufacturing Requirements:

Length _____ feet _____ inches

Supply – Black adjustable pattern controller allows full 180° adjustment and control of airflow (LSD-T3-S)

Return – less pattern controller (LSD-T3-R)

Number of slots: 1 2 3 4 5 6 7 8

Slot Width: 1/2" 3/4" 1"

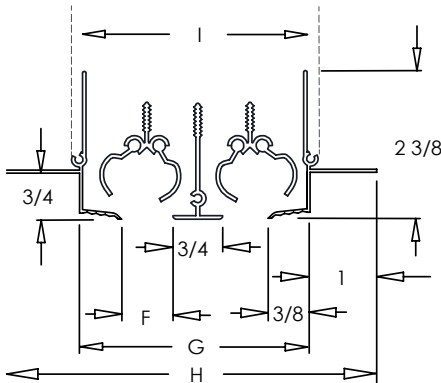
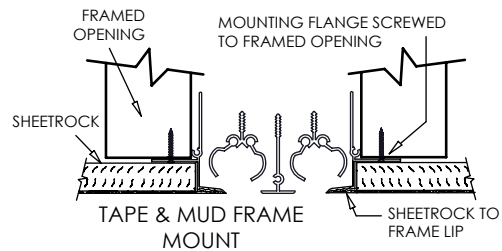
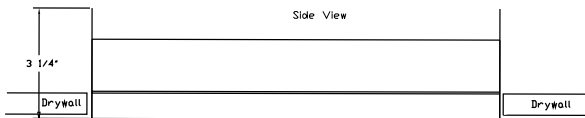
Finishes: For LSD with 1 Slot, only Soft White is an available finish.

STANDARD COLORS

- Soft White
- Driftwood Tan

DESIGNER COLORS

- Black
- Bronze
- Storm Gray
- Cement Gray
- Aluminum Paint
- Coffee Tan
- Warm White
- Glossy White



LSD-T3
TAPE & MUD FRAME

Dimensions (in inches)									
# OF SLOTS	SLOT WIDTH (F)	OVERALL WIDTH (H)	WIDTH OF BACK (I)	OPENING WIDTH (G)	# OF SLOTS	SLOT WIDTH (F)	OVERALL WIDTH (H)	WIDTH OF BACK (I)	OPENING WIDTH (G)
1	1/2	3 1/4	1 1/2	1 1/4	5	1/2	8 1/4	6 1/2	6 1/4
	3/4	3 1/2	1 3/4	1 1/2		3/4	9 1/2	7 3/4	7 1/2
	1	3 3/4	2	1 3/4		1	10 3/4	9	8 3/4
2	1/2	4 1/2	2 3/4	2 1/2	6	1/2	9 1/2	7 3/4	7 1/2
	3/4	5	3 1/4	3		3/4	11	9 1/4	9
	1	5 1/2	3 3/4	3 1/2		1	12 1/2	10 3/4	10 1/2
3	1/2	5 3/4	4	3 3/4	7	1/2	10 3/4	9	8 3/4
	3/4	6 1/2	4 3/4	4 1/2		3/4	12 1/2	10 3/4	10 1/2
	1	7 1/4	5 1/2	5 1/4		1	14 1/4	12 1/2	12 1/4
4	1/2	7	5 1/4	5	8	1/2	12	10 1/4	10
	3/4	8	6 1/4	6		3/4	14	12 1/4	12
	1	9	7 1/4	7		1	16	14 1/4	14

Note ID lengths 3/16" undersized nominal

Installation Note: Plenum must be installed before diffuser install.

Additional Information:

Submittal Notes

Project / Location:	
Engineer:	
Architect:	
Contractor:	

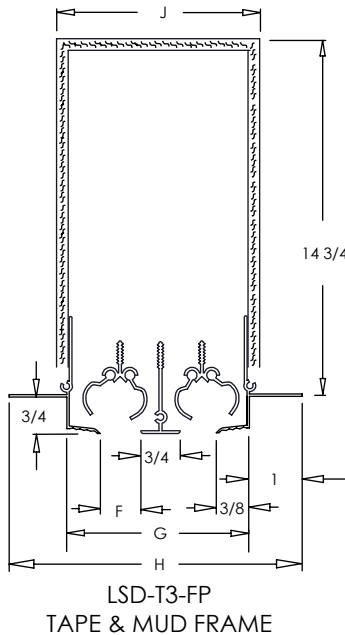
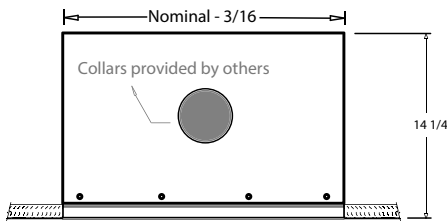
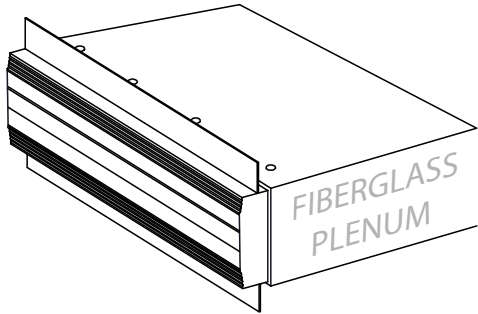


CSW Industrials Companies

Linear Slot Diffuser Submittal

Tape & Mud Frame with Fiberglass Plenum (Type 3)

MODEL: LSD-T3-FP



Standard Features:

- Extruded aluminum slot diffuser
- Rigid fiberglass plenum, allows for multiple locations of field installed spin in collar (collar provided by others)
- Fiberglass plenum ships installed on diffuser
- Tape & Mud flange for frameless and flush installation
- Designed for 1/2" or 5/8" drywall application
- Minimum length 12"
- Unlimited continuous sections available with butt joints
- Soft White

Manufacturing Requirements:

Length _____ feet _____ inches

Supply – Black adjustable pattern controller allows full 180° adjustment and control of airflow (LSD-T3-S)

Return – less pattern controller (LSD-T3-R)

Number of slots: 1 2 3 4 5 6 7 8

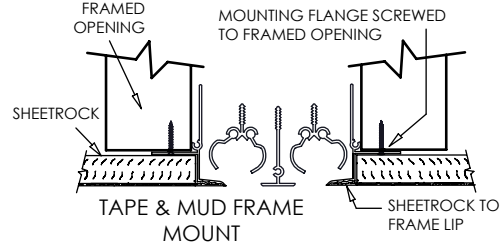
Slot Width: 1/2" 3/4" 1"

Finishes: For LSD with 1 Slot, only Soft White is an available finish.

Soft White

Designer Color _____

Driftwood Tan



Dimensions (in inches)									
# OF SLOTS	SLOT WIDTH (F)	OVERALL WIDTH (H)	PLENUM WIDTH (J)	OPENING WIDTH (G)	# OF SLOTS	SLOT WIDTH (F)	OVERALL WIDTH (H)	PLENUM WIDTH (J)	OPENING WIDTH (G)
1	1/2	3 1/4	2	1 1/4	5	1/2	8 1/4	7	6 1/4
	3/4	3 1/2	2 1/4	1 1/2		3/4	9 1/2	8 1/4	7 1/2
	1	3 3/4	2 1/2	1 3/4		1	10 3/4	9 1/2	8 3/4
2	1/2	4 1/2	3 1/4	2 1/2	6	1/2	9 1/2	8 1/4	7 1/2
	3/4	5	3 3/4	3		3/4	11	9 3/4	9
	1	5 1/2	4 1/4	3 1/2		1	12 1/2	11 1/4	10 1/2
3	1/2	5 3/4	4 1/2	3 3/4	7	1/2	10 3/4	9 1/2	9 3/4
	3/4	6 1/2	5 1/4	4 1/2		3/4	12 1/2	11 1/4	10 1/2
	1	7 1/4	6	5 1/4		1	14 1/4	13	12 1/4
4	1/2	7	5 3/4	5	8	1/2	12	10 3/4	10
	3/4	8	6 3/4	6		3/4	14	12 3/4	12
	1	9	7 3/4	7		1	16	14 3/4	14

Note: ID lengths 3/16" undersized nominal

Installation Note: The Type 3 Tape and Mud Flange is an effective and seamless mounting application for 1/2" or 5/8" drywall. Designed to create a frameless finished look. To install simply place diffuser in framed opening and screw through the flange to attach the product to the framed opening. Once secure, install sheetrock to cover flange and butt up to the frame's edges. Finish installing by taping and mudding the product and sheetrock to create the desired seamless finish.

Additional Information:

Submittal Notes

Project / Location:	
Engineer:	
Architect:	
Contractor:	

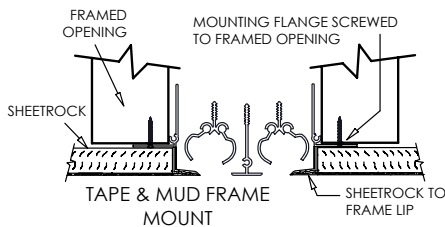
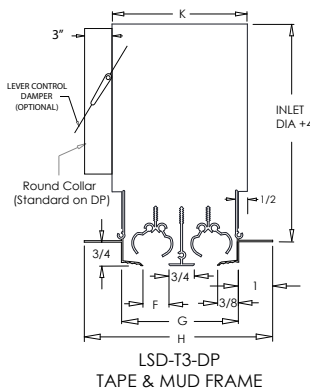
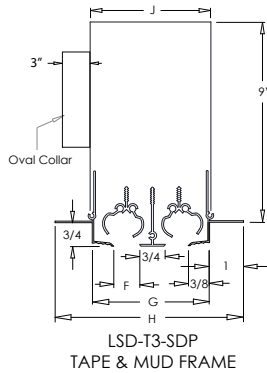
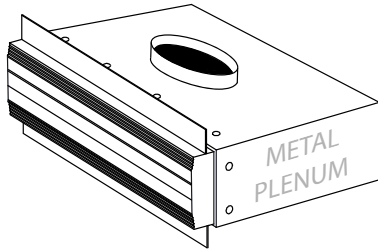


CSW Industrials Companies

Linear Slot Diffuser Submittal

Tape & Mud Frame Diffuser with Metal Plenum (Type 3)

MODEL: LSD-T3-SDP, LSD-T3-DP



Standard Features:

- Extruded aluminum slot diffuser
- Tape & Mud flange for frameless and flush installation
- Designed for 1/2" or 5/8" drywall application
- Minimum length 12"
- Unlimited continuous sections available with butt joints
- Soft White

Manufacturing Requirements:

Length _____ feet inches

Supply – Black adjustable pattern controller allows full 180° adjustment and control of airflow (LSD-T3-S)

Return – less pattern controller (LSD-T3-R)

Number of slots: 1 2 3 4 5 6 7 8

Slot Width: 1/2" 3/4" 1"

Finishes: For LSD with 1 Slot, only Soft White is an available finish.

- Soft White
- Driftwood Tan

Designer Color _____

METAL PLENUM Standard Features

- 24 gauge galvanized steel plenum
- Minimum length 1' and maximum single piece length is 6'
- Metal plenum requires field assembly to connect to the diffuser

Manufacturing Requirements:

Short Distribution Plenum – SDP (standard, height set at 9")

Distribution Plenum – DP (height = inlet diameter + 4")

1/2" fiberglass internal insulation

No insulation

Oval inlet sizes: 5" 6" 7" 8" 10" 12" 14" 16"

Round inlet sizes (SDP): 5" 6"

Round inlet sizes (DP): 5" 6" 7" 8" 10" 12" 14" 16"

No inlet (DP with no inlet will have a standard height of 14")

Options:

Twist controlled damper

Dimensions (in inches)

# OF SLOTS	SLOT WIDTH (F)	OVERALL WIDTH (H)	SDP WIDTH (J)	DP WIDTH (K)	OPENING WIDTH (G)	# OF SLOTS	SLOT WIDTH (F)	OVERALL WIDTH (H)	SDP WIDTH (J)	DP WIDTH (K)	OPENING WIDTH (G)
1	1/2	3 1/4	1 3/8	2 3/8	1 1/4	5	1/2	8 1/4	6 5/8	7 5/8	6 1/4
	3/4	3 1/2	1 7/8	2 7/8	1 1/2		3/4	9 1/2	7 7/8	8 7/8	7 1/2
2	1	3 3/4	2 1/8	3 1/8	1 3/4	6	1	10 3/4	9 1/8	10 1/8	8 3/4
	1/2	4 1/2	2 7/8	3 7/8	2 1/2		1/2	9 1/2	7 7/8	8 7/8	7 1/2
3	3/4	5	3 3/8	4 3/8	3	7	3/4	11	9 3/8	10 3/8	9
	1	5 1/2	3 7/8	4 7/8	3 1/2		1	12 1/2	10 7/8	11 7/8	10 1/2
4	1/2	5 3/4	4 1/8	5 1/8	3 3/4	8	1/2	10 3/4	9 1/8	10 1/8	9 3/4
	3/4	6 1/2	4 7/8	5 7/8	4 1/2		3/4	12 1/2	10 7/8	11 7/8	10 1/2
5	1	7 1/4	5 5/8	6 5/8	5 1/4	9	1	14 1/4	12 5/8	13 5/8	12 1/4
	1/2	7	5 3/8	6 3/8	5		1/2	12	10 3/8	11 3/8	10
6	3/4	8	6 3/8	7 3/8	6	10	3/4	14	12 3/8	13 3/8	12
	1	9	7 3/8	8 3/8	7		1	16	14 3/8	15 3/8	14

Note: Diffuser ID lengths 3/16" undersized nominal. Metal plenum manufactured to nominal dimensions. If duct opening is 48", plenum will be 48" and diffuser will be 47-13/16".

Installation Note: Metal Plenum must be installed before the diffuser is installed.

Additional Information:

Submittal Notes

Project / Location:

Engineer:

Architect:

Contractor:

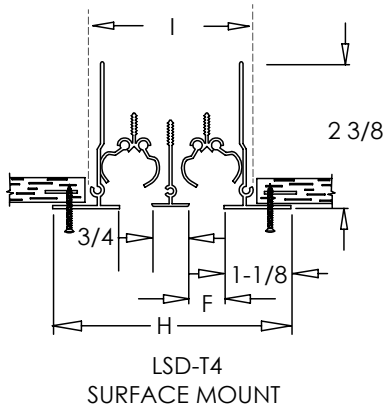
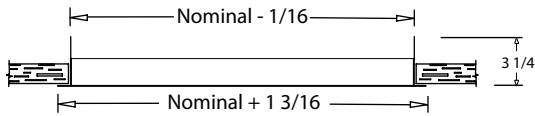
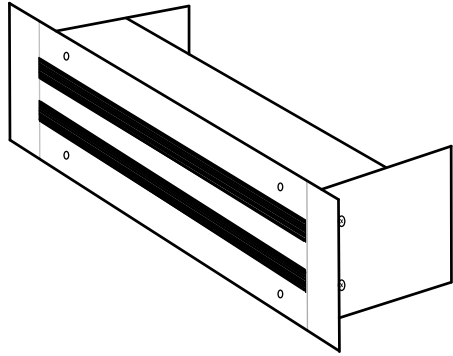


CSW Industrials Companies

Linear Slot Diffuser Submittal

Surface Mount Frame – Diffuser Only (Type 4)

MODEL: LSD-T4-DO



LSD-T4
SURFACE MOUNT

Standard Features:

- Extruded aluminum slot diffuser
- Surface mount frame style with 1 1/8" flange.
- Countersunk mounting holes for flush appearance and color matching Philips Pozidriv screws
- Flanged end caps
- Minimum length 6"
- Unlimited continuous sections available with butt joints
- Soft White

Manufacturing Requirements:

Length _____ feet _____ inches

Supply – Black adjustable pattern controller allows full 180° adjustment and control of airflow (LSD-T4-S)

Return – less pattern controller (LSD-T4-R)

Number of slots: 1 2 3 4 5 6 7 8

Slot Width: 1/2" 3/4" 1"

Options:

Flat end caps

Finishes:

STANDARD COLORS

- Soft White
- Driftwood Tan

DESIGNER COLORS

- Black
- Bronze
- Storm Gray
- Cement Gray

- Aluminum Paint
- Coffee Tan
- Warm White
- Glossy White

Dimensions (in inches)

# OF SLOTS	SLOT WIDTH (F)	OVERALL WIDTH (H)	WIDTH OF BACK (I)	# OF SLOTS	SLOT WIDTH (F)	OVERALL WIDTH (H)	WIDTH OF BACK (I)
1	1/2	2 3/4	1 1/2	5	1/2	7 3/4	6 1/2
	3/4	3	1 3/4		3/4	9	7 3/4
	1	3 1/4	2		1	10 1/4	9
2	1/2	4	2 3/4	6	1/2	9	7 3/4
	3/4	4 1/2	3 1/4		3/4	10 1/2	9 1/4
	1	5	3 3/4		1	12	10 3/4
3	1/2	5 1/4	4	7	1/2	10 1/4	9
	3/4	6	4 3/4		3/4	12	10 3/4
	1	6 3/4	5 1/2		1	13 3/4	12 1/2
4	1/2	6 1/2	5 1/4	8	1/2	11 1/2	10 1/4
	3/4	7 1/2	6 1/4		3/4	13 1/2	12 1/4
	1	8 1/2	7 1/4		1	15 1/2	14 1/4

Note: ID lengths 1/16" undersized nominal

Additional Information:

Submittal Notes

Project / Location:	
Engineer:	
Architect:	
Contractor:	

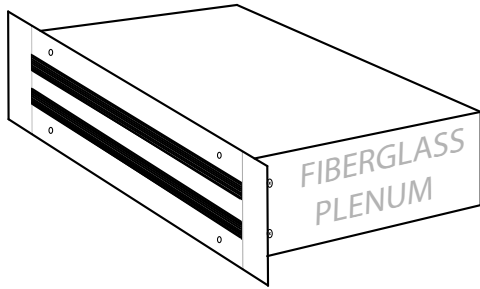


CSW Industrials Companies

Linear Slot Diffuser Submittal

Surface Mount Frame with Fiberglass Plenum (Type 4)

MODEL: LSD-T4-FP



Standard Features:

- Extruded aluminum slot diffuser
- Surface mount frame style with 1 1/8" flange.
- Countersunk mounting holes for flush appearance and color matching Philips Pozidriv screws
- Flanged end caps
- Rigid fiberglass plenum, allows for multiple locations of field installed spin in collar (collar provided by others)
- Fiberglass plenum ships installed on diffuser
- Minimum length 12"
- Unlimited continuous sections available with butt joints
- Soft White

Manufacturing Requirements:

Length _____ feet _____ inches

Supply – Black adjustable pattern controller allows full 180° adjustment and control of airflow (LSD-T4-S)

Return – less pattern controller (LSD-T4-R)

Number of slots: 1 2 3 4 5 6 7 8

Slot Width: 1/2" 3/4" 1"

Options:

Flat end caps

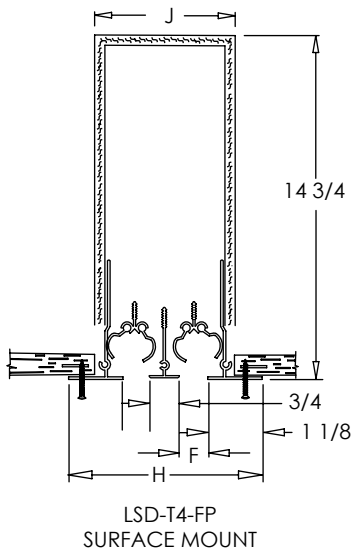
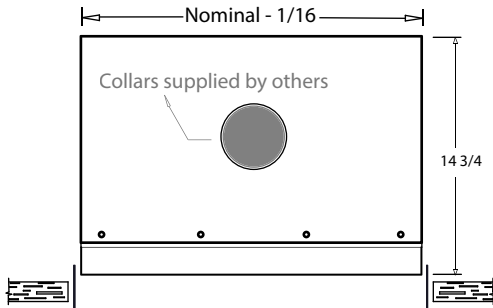
Finishes:

STANDARD COLORS

- Soft White
- Driftwood Tan

DESIGNER COLORS

- Black
- Bronze
- Storm Gray
- Cement Gray
- Aluminum Paint
- Coffee Tan
- Warm White
- Glossy White



Dimensions (in inches)

# OF SLOTS	SLOT WIDTH (F)	OVERALL WIDTH (H)	PLENUM WIDTH (J)	# OF SLOTS	SLOT WIDTH (F)	OVERALL WIDTH (H)	PLENUM WIDTH (J)
1	1/2	2 3/4	2	5	1/2	7 3/4	7
	3/4	3	2 1/4		3/4	9	8 1/4
	1	3 1/4	2 1/2		1	10 1/4	9 1/2
2	1/2	4	3 1/4	6	1/2	9	8 1/4
	3/4	4 1/2	3 3/4		3/4	10 1/2	9 3/4
	1	5	4 1/4		1	12	11 1/4
3	1/2	5 1/4	4 1/2	7	1/2	10 1/4	9 1/2
	3/4	6	5 1/4		3/4	12	11 1/4
	1	6 3/4	6		1	13 3/4	13
4	1/2	6 1/2	5 3/4	8	1/2	11 1/2	10 3/4
	3/4	7 1/2	6 3/4		3/4	13 1/2	12 3/4
	1	8 1/2	7 3/4		1	15 1/2	14 3/4

Note ID lengths 1/16" undersized nominal

Additional Information:

Submittal Notes

Project / Location:	
Engineer:	
Architect:	
Contractor:	

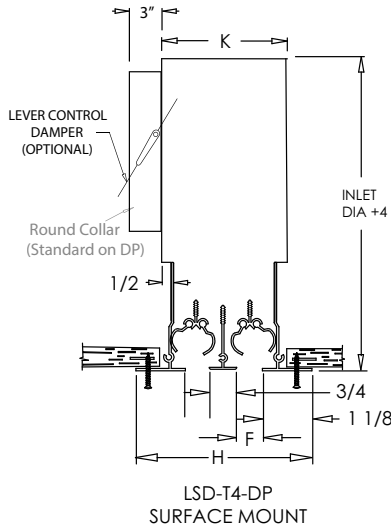
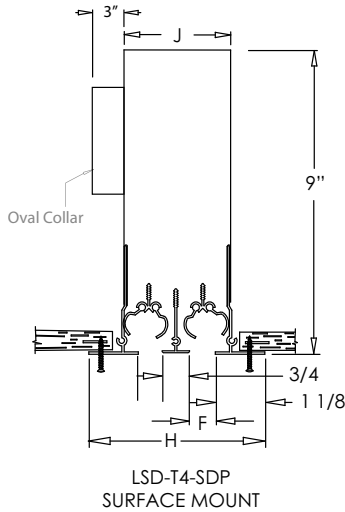
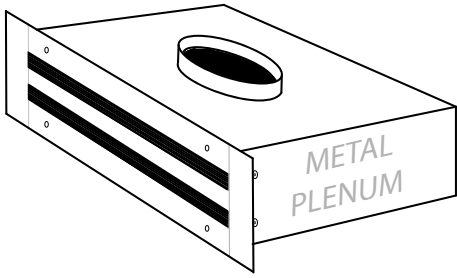


CSW Industrials Companies

Linear Slot Diffuser Submittal

Surface Mount Frame with Metal Plenum (Type 4)

MODEL: LSD-T4-SDP, LSD-T4-DP



LINEAR SLOT DIFFUSER Standard Features:

- Extruded aluminum slot diffuser
- Surface mount frame style with 1 1/8" flange.
- Countersunk mounting holes for flush appearance and color matching Philips Pozidriv screws
- Flanged end caps
- Minimum length 12"
- Unlimited continuous sections available with butt joints
- Soft White

Manufacturing Requirements:

Length _____ feet _____ inches

Supply – Black adjustable pattern controller allows full 180° adjustment and control of airflow (LSD-T4-S)

Return – less pattern controller (LSD-T4-R)

Number of slots: 1 2 3 4 5 6 7 8

Slot Width: 1/2" 3/4" 1"

Options:

Flat end caps

Optional Finishes:

Soft White

Designer Color _____

Driftwood Tan

METAL PLENUM Standard Features

- 24 gauge galvanized steel plenum
- Minimum length 1' and maximum single piece length is 6'
- Metal plenum requires field assembly to connect to the diffuser

Manufacturing Requirements:

Short Distribution Plenum – SDP (standard, height set at 9")

Distribution Plenum – DP (height = inlet diameter + 4")

1/2" fiberglass internal insulation

No insulation

Oval inlet sizes: 5" 6" 7" 8" 10" 12" 14" 16"

Round inlet sizes (SDP): 5" 6"

Round inlet sizes (DP): 5" 6" 7" 8" 10" 12" 14" 16"

No inlet (DP with no inlet will have a standard height of 14")

Options:

Twist controlled damper

Dimensions (in inches)

# OF SLOTS	SLOT WIDTH (F)	OVERALL WIDTH (H)	SDP WIDTH (J)	DP WIDTH (K)	# OF SLOTS	SLOT WIDTH (F)	OVERALL WIDTH (H)	SDP WIDTH (J)	DP WIDTH (K)
1	1/2	2 3/4	1 5/8	2 5/8	5	1/2	7 3/4	6 5/8	7 5/8
	3/4	3	1 7/8	2 7/8		3/4	9	7 7/8	8 7/8
	1	3 1/4	2 1/8	3 1/8		1	10 1/4	9 1/8	10 1/8
2	1/2	4	2 7/8	3 7/8	6	1/2	9	7 7/8	8 7/8
	3/4	4 1/2	3 3/8	4 3/8		3/4	10 1/2	9 3/8	10 3/8
	1	5	3 7/8	4 7/8		1	12	10 7/8	11 7/8
3	1/2	5 1/4	4 1/8	5 1/8	7	1/2	10 1/4	9 1/8	10 1/8
	3/4	6	4 7/8	5 7/8		3/4	12	10 7/8	11 7/8
	1	6 3/4	5 5/8	6 5/8		1	13 3/4	12 5/8	13 5/8
4	1/2	6 1/2	5 3/8	6 3/8	8	1/2	11 1/2	10 3/8	11 3/8
	3/4	7 1/2	6 3/8	7 3/8		3/4	13 1/2	12 3/8	13 3/8
	1	8 1/2	7 3/8	8 3/8		1	15 1/2	14 3/8	15 3/8

Note: Diffuser ID lengths 1/16" undersized nominal. Metal plenum manufactured to nominal dimensions. If duct opening is 48", plenum will be 48" and diffuser will be 47-15/16".

Additional Information:

Submittal Notes

Project / Location:

Engineer:

Architect:

Contractor:

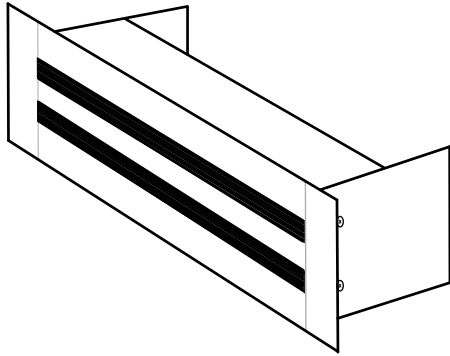


CSW Industrials Companies

Linear Slot Diffuser Submittal

Concealed Mount Frame – Diffuser Only (Type 5)

MODEL: LSD-T5-DO



Standard Features:

- Extruded aluminum slot diffuser
- Surface frame style with 1 1/8" flange. Concealed mount screw holes and end flanges for a clean aesthetic look
- Minimum length 6"
- Unlimited continuous sections available with butt joints
- Soft White

Manufacturing Requirements:

Length _____ feet _____ inches

Supply – Black adjustable pattern controller allows full 180° adjustment and control of airflow (LSD-T5-S)

Return – less pattern controller (LSD-T5-R)

Number of slots: 1 2 3 4 5 6 7 8

Slot Width: 1/2" 3/4" 1"

Options:

Flat end caps

Finishes:

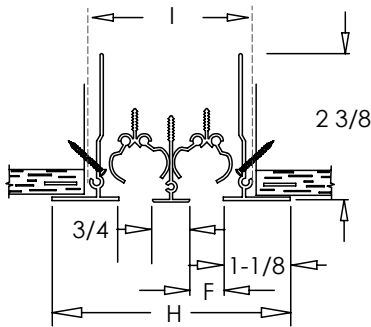
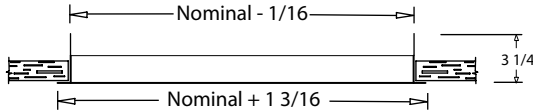
STANDARD COLORS

- Soft White
- Driftwood Tan

DESIGNER COLORS

- Black
- Bronze
- Storm Gray
- Cement Gray

- Aluminum Paint
- Coffee Tan
- Warm White
- Glossy White



LSD-T5
CONCEALED MOUNT

Dimensions (in inches)

# OF SLOTS	SLOT WIDTH (F)	OVERALL WIDTH (H)	WIDTH OF BACK (I)	# OF SLOTS	SLOT WIDTH (F)	OVERALL WIDTH (H)	WIDTH OF BACK (I)
1	1/2	2 3/4	1 1/2	5	1/2	7 3/4	6 1/2
	3/4	3	1 3/4		3/4	9	7 3/4
	1	3 1/4	2		1	10 1/4	9
2	1/2	4	2 3/4	6	1/2	9	7 3/4
	3/4	4 1/2	3 1/4		3/4	10 1/2	9 1/4
	1	5	3 3/4		1	12	10 3/4
3	1/2	5 1/4	4	7	1/2	10 1/4	9
	3/4	6	4 3/4		3/4	12	10 3/4
	1	6 3/4	5 1/2		1	13 3/4	12 1/2
4	1/2	6 1/2	5 1/4	8	1/2	11 1/2	10 1/4
	3/4	7 1/2	6 1/4		3/4	13 1/2	12 1/4
	1	8 1/2	7 1/4		1	15 1/2	14 1/4

Note ID lengths 1/16" undersized nominal

Additional Information:

Submittal Notes

Project / Location:	
Engineer:	
Architect:	
Contractor:	

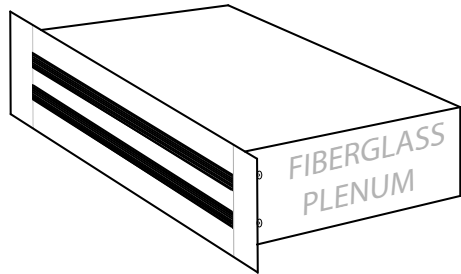


CSW Industrials Companies

Linear Slot Diffuser Submittal

Concealed Mount Frame with Fiberglass Plenum (Type 5)

MODEL: LSD-T5-FP



Standard Features:

- Extruded aluminum slot diffuser
- Surface frame style with 1 1/8" flange. Concealed mount screw holes and end flanges for a clean aesthetic look
- Rigid fiberglass plenum, allows for multiple locations of field installed spin in collar (collar provided by others)
- Fiberglass plenum ships installed on diffuser
- Minimum length 12"
- Unlimited continuous sections available with butt joints
- Soft White

Manufacturing Requirements:

Length _____ feet _____ inches

Supply – Black adjustable pattern controller allows full 180° adjustment and control of airflow (LSD-T5-S)

Return – less pattern controller (LSD-T5-R)

Number of slots: 1 2 3 4 5 6 7 8

Slot Width: 1/2" 3/4" 1"

Options:

Flat end caps

Finishes:

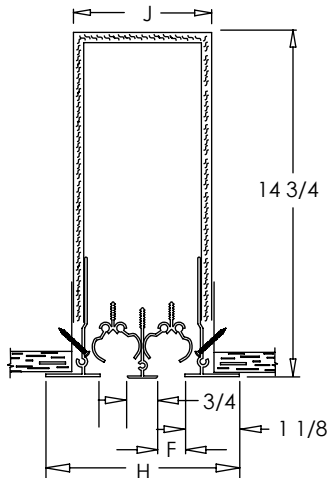
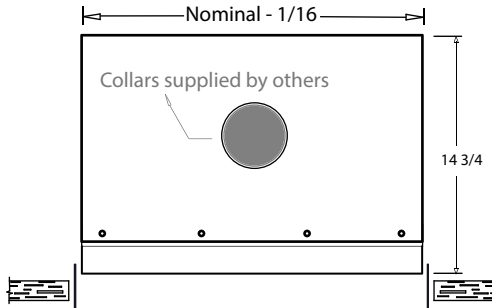
STANDARD COLORS

- Soft White
- Driftwood Tan

DESIGNER COLORS

- Black
- Bronze
- Storm Gray
- Cement Gray

- Aluminum Paint
- Coffee Tan
- Warm White
- Glossy White



LSD-T5-FP
CONCEALED MOUNT

Dimensions (in inches)

# OF SLOTS	SLOT WIDTH (F)	OVERALL WIDTH (H)	PLENUM WIDTH (J)	# OF SLOTS	SLOT WIDTH (F)	OVERALL WIDTH (H)	PLENUM WIDTH (J)
1	1/2	2 3/4	2	5	1/2	7 3/4	7
	3/4	3	2 1/4		3/4	9	8 1/4
	1	3 1/4	2 1/2		1	10 1/4	9 1/2
2	1/2	4	3 1/4	6	1/2	9	8 1/4
	3/4	4 1/2	3 3/4		3/4	10 1/2	9 3/4
	1	5	4 1/4		1	12	11 1/4
3	1/2	5 1/4	4 1/2	7	1/2	10 1/4	9 1/2
	3/4	6	5 1/4		3/4	12	11 1/4
	1	6 3/4	6		1	13 3/4	13
4	1/2	6 1/2	5 3/4	8	1/2	11 1/2	10 3/4
	3/4	7 1/2	6 3/4		3/4	13 1/2	12 3/4
	1	8 1/2	7 3/4		1	15 1/2	14 3/4

Note ID lengths 1/16" undersized nominal

Additional Information:

Submittal Notes

Project / Location:	
Engineer:	
Architect:	
Contractor:	

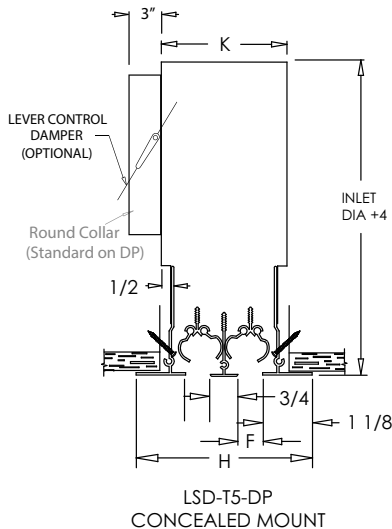
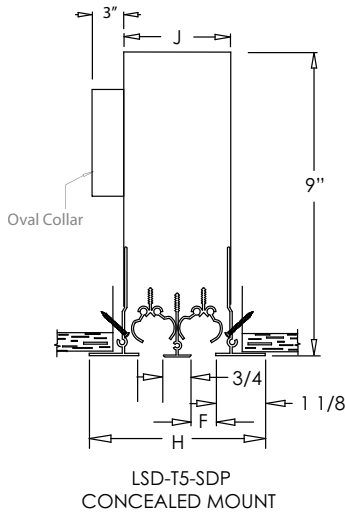
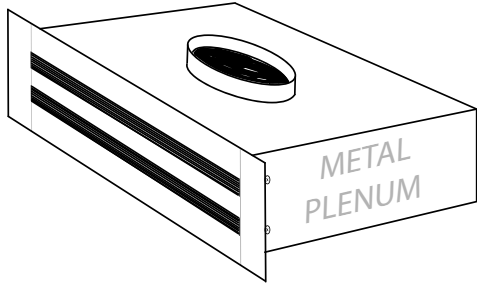


CSW Industrials Companies

Linear Slot Diffuser Submittal

Concealed Mount Frame with Metal Plenum (Type 5)

MODEL: LSD-T5-SDP, LSD-T5-DP



LINEAR SLOT DIFFUSER Standard Features:

- Extruded aluminum slot diffuser
- Surface frame style with 1 1/8" flange: Concealed mount screw holes and end flanges for a clean aesthetic look.
- Minimum length 12"
- Unlimited continuous sections available with butt joints
- Soft White

Manufacturing Requirements:

Length _____ feet inches

Supply – Black adjustable pattern controller allows full 180° adjustment and control of airflow (LSD-T5-S)

Return – less pattern controller (LSD-T5-R)

Number of slots: 1 2 3 4 5 6 7 8

Slot Width: 1/2" 3/4" 1"

Options:

Flat end caps

Optional Finishes:

Soft White

Designer Color _____

Driftwood Tan

METAL PLENUM Standard Features

- 24 gauge galvanized steel plenum
- Minimum length 1' and maximum single piece length is 6'
- Metal plenum requires field assembly to connect to the diffuser

Manufacturing Requirements:

Short Distribution Plenum – SDP (standard, height set at 9")

Distribution Plenum – DP (height = inlet diameter + 4")

1/2" fiberglass internal insulation

No insulation

Oval inlet sizes: 5" 6" 7" 8" 10" 12" 14" 16"

Round inlet sizes (SDP): 5" 6"

Round inlet sizes (DP): 5" 6" 7" 8" 10" 12" 14" 16"

No inlet (DP with no inlet will have a standard height of 14")

Options:

Twist controlled damper

Dimensions (in inches)

# OF SLOTS	SLOT WIDTH (F)	OVERALL WIDTH (H)	SDP WIDTH (J)	DP WIDTH (K)	# OF SLOTS	SLOT WIDTH (F)	OVERALL WIDTH (H)	SDP WIDTH (J)	DP WIDTH (K)
1	1/2	2 3/4	1 5/8	2 5/8	5	1/2	7 3/4	6 5/8	7 5/8
	3/4	3	1 7/8	2 7/8		3/4	9	7 7/8	8 7/8
	1	3 1/4	2 1/8	3 1/8		1	10 1/4	9 1/8	10 1/8
2	1/2	4	2 7/8	3 7/8	6	1/2	9	7 7/8	8 7/8
	3/4	4 1/2	3 3/8	4 3/8		3/4	10 1/2	9 3/8	10 3/8
	1	5	3 7/8	4 7/8		1	12	10 7/8	11 7/8
3	1/2	5 1/4	4 1/8	5 1/8	7	1/2	10 1/4	9 1/8	10 1/8
	3/4	6	4 7/8	5 7/8		3/4	12	10 7/8	11 7/8
	1	6 3/4	5 5/8	6 5/8		1	13 3/4	12 5/8	13 5/8
4	1/2	6 1/2	5 3/8	6 3/8	8	1/2	11 1/2	10 3/8	11 3/8
	3/4	7 1/2	6 3/8	7 3/8		3/4	13 1/2	12 3/8	13 3/8
	1	8 1/2	7 3/8	8 3/8		1	15 1/2	14 3/8	15 3/8

Note: Diffuser ID lengths 1/16" undersized nominal. Metal plenum manufactured to nominal dimensions. If duct opening is 48", plenum will be 48" and diffuser will be 47-15/16".

Additional Information:

Submittal Notes

Project / Location:

Engineer:

Architect:

Contractor:

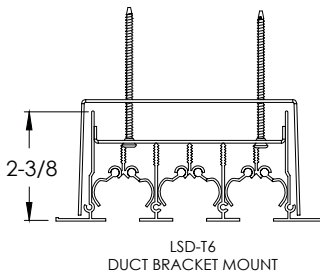
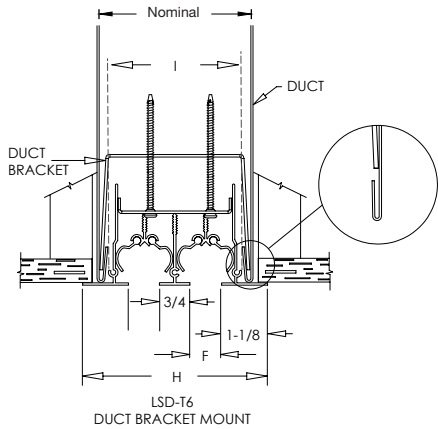
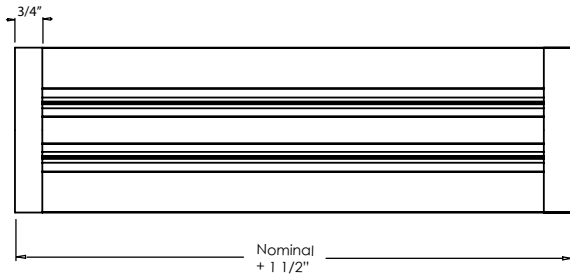
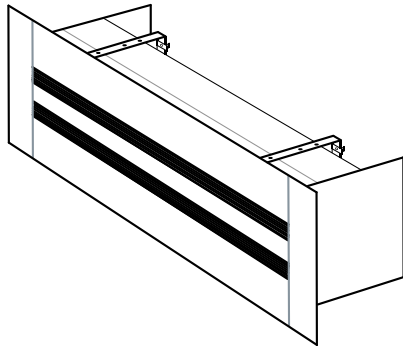


CSW Industrials Companies

Linear Slot Diffuser Submittal

Duct Bracket Mount – Diffuser Only (Type 6)

MODEL: LSD-T6-DO



Standard Features:

- Extruded aluminum slot diffuser
- Duct Bracket frame style with 1- 1/8" flange and flanged end caps.
- Multiple fastening locations for each diffuser
- Minimum length 6"
- Unlimited continuous sections available with butt joints
- Soft White

Manufacturing Requirements:

Length _____ feet inches

Supply – Black adjustable pattern controller allows full 180° adjustment and control of airflow (LSD-T6-S)

Return – less pattern controller (LSD-T6-R)

Number of slots: 1 2 3 4 5 6 7 8

Slot Width: 1/2" 3/4" 1"

Options:

Flat end caps

Finishes:

STANDARD COLORS

- Soft White
- Driftwood Tan

DESIGNER COLORS

- Black
- Bronze
- Storm Gray
- Cement Gray

- Aluminum Paint
- Coffee Tan
- Warm White
- Glossy White

Dimensions (in inches)

# OF SLOTS	SLOT WIDTH (F)	OVERALL WIDTH (H)	WIDTH OF BACK (I)	# OF SLOTS	SLOT WIDTH (F)	OVERALL WIDTH (H)	WIDTH OF BACK (I)
1	1/2	2 3/4	1 1/2	5	1/2	7 3/4	6 1/2
	3/4	3	1 3/4		3/4	9	7 3/4
	1	3 1/4	2		1	10 1/4	9
2	1/2	4	2 3/4	6	1/2	9	7 3/4
	3/4	4 1/2	3 1/4		3/4	10 1/2	9 1/4
	1	5	3 3/4		1	12	10 3/4
3	1/2	5 1/4	4	7	1/2	10 1/4	9
	3/4	6	4 3/4		3/4	12	10 3/4
	1	6 3/4	5 1/2		1	13 3/4	12 1/2
4	1/2	6 1/2	5 1/4	8	1/2	11 1/2	10 1/4
	3/4	7 1/2	6 1/4		3/4	13 1/2	12 1/4
	1	8 1/2	7 1/4		1	15 1/2	14 1/4

Note ID lengths 1/16" undersized nominal

Additional Information:

Submittal Notes

Project / Location:

Engineer:

Architect:

Contractor:

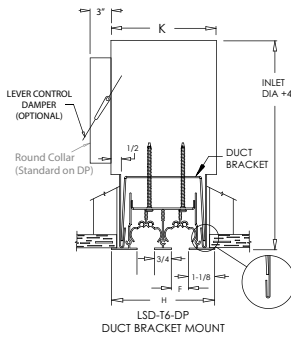
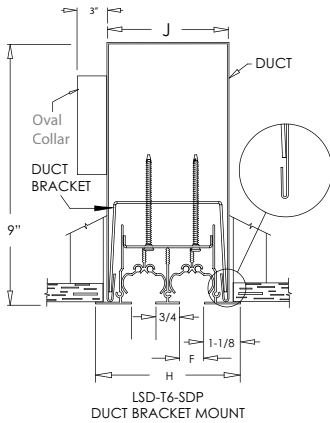
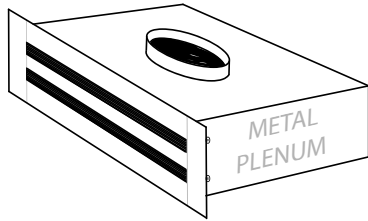


CSW Industrials Companies

Linear Slot Diffuser Submittal

Duct Bracket Diffuser with Metal Plenum (Type 6)

MODEL: LSD-T6-SDP, LSD-T6-DP



Standard Features:

- Extruded aluminum slot diffuser
- Duct Bracket frame style with 1- 1/8" flange and flanged end caps.
- Multiple fastening locations for each diffuser
- Minimum length 12"
- Unlimited continuous sections available with butt joints
- Soft White

Manufacturing Requirements:

Length _____ feet inches

Supply – Black adjustable pattern controller allows full 180° adjustment and control of airflow (LSD-T6-S)

Return – less pattern controller (LSD-T6-R)

Number of slots: 1 2 3 4 5 6 7 8

Slot Width: 1/2" 3/4" 1"

Options:

Flat end caps

Optional Finishes:

Soft White

Driftwood Tan

Designer Color _____

METAL PLENUM Standard Features

- 24 gauge galvanized steel plenum, with hemmed rails
- Minimum length 1' and maximum single piece length is 6'
- Metal plenum requires field assembly to connect to the diffuser

Manufacturing Requirements:

Short Distribution Plenum – SDP (standard, height set at 9")

Distribution Plenum – DP (height = inlet diameter + 4")

1/2" fiberglass internal insulation

No insulation

Oval inlet sizes: 5" 6" 7" 8" 10" 12" 14" 16"

Round inlet sizes (SDP): 5" 6"

Round inlet sizes (DP): 5" 6" 7" 8" 10" 12" 14" 16"

No inlet (DP with no inlet will have a standard height of 14")

Options:

Twist controlled damper

Dimensions (in inches)

# OF SLOTS	SLOT WIDTH (F)	OVERALL WIDTH (H)	SDP WIDTH (J)	DP WIDTH (K)	# OF SLOTS	SLOT WIDTH (F)	OVERALL WIDTH (H)	SDP WIDTH (J)	DP WIDTH (K)
1	1/2	2 3/4	1 5/8	2 5/8	5	1/2	7 3/4	6 5/8	7 5/8
	3/4	3	1 7/8	2 7/8		3/4	9	7 7/8	8 7/8
	1	3 1/4	2 1/8	3 1/8		1	10 1/4	9 1/8	10 1/8
2	1/2	4	2 7/8	3 7/8	6	1/2	9	7 7/8	8 7/8
	3/4	4 1/2	3 3/8	4 3/8		3/4	10 1/2	9 3/8	10 3/8
	1	5	3 7/8	4 7/8		1	12	10 7/8	11 7/8
3	1/2	5 1/4	4 1/8	5 1/8	7	1/2	10 1/4	9 1/8	10 1/8
	3/4	6	4 7/8	5 7/8		3/4	12	10 7/8	11 7/8
	1	6 3/4	5 5/8	6 5/8		1	13 3/4	12 5/8	13 5/8
4	1/2	6 1/2	5 3/8	6 3/8	8	1/2	11 1/2	10 3/8	11 3/8
	3/4	7 1/2	6 3/8	7 3/8		3/4	13 1/2	12 3/8	13 3/8
	1	8 1/2	7 3/8	8 3/8		1	15 1/2	14 3/8	15 3/8

Note: Diffuser ID lengths 1/16" undersized nominal. Metal plenum manufactured to nominal dimensions. If duct opening is 48", plenum will be 48" and diffuser will be 47-15/16".

Install Notes

Metal Plenum must be installed before the diffuser is installed. The Type 6 Duct Mount is an effective and quick mounting mechanism. Attach the duct bracket to the LSD-T6 only tapping the fastening screws enough to hold the LSD-T6 and bracket together. Once the brackets have been attached to the LSD-T6 and the unit is set into place, the duct brackets will snap into position. The rolled edges of the duct support the duct bracket, holding it in place, while the fastening screws are threaded in the remainder of the way to pull the LSD-T6 tight to the finished surface. Duct brackets and mounting screws will ship with the LSD-T6.

Additional Information:

Submittal Notes

Project / Location:	
Engineer:	
Architect:	
Contractor:	