

### Standard Features:

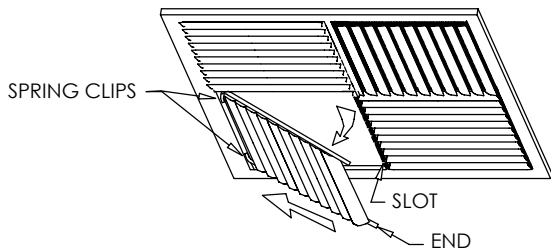
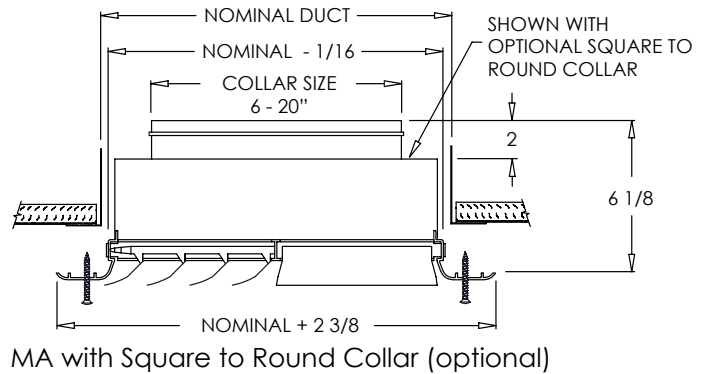
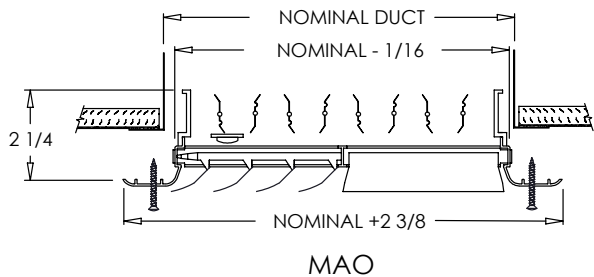
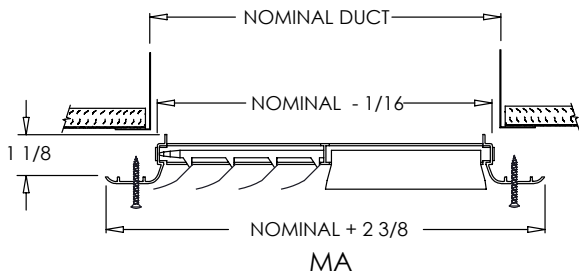
- Adjustable modular cores with fixed curved blades
- Maintains horizontal airflow pattern
- Extruded aluminum surface mount frame with signature line marks
- Countersunk mounting holes with color matching Philips Posidriv screws
- Rust resistant pre-coat with durable powder finish
- Soft White

### Options:

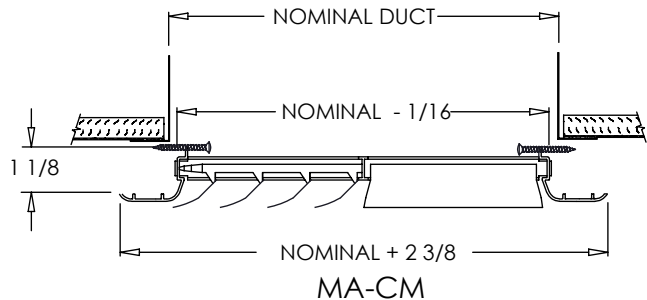
- Concealed mounting holes (MA-CM)
- Recessed screwdriver operated Opposed Blade Damper (MA-0)
- 2" ADC compliant round collar with bead for ease of installation – available in square sizes only
- T-20 Tamper Proof Screws

### Finishes:

STANDARD COLORS		DESIGNER COLORS	
<input type="checkbox"/> Soft White	<input type="checkbox"/> Driftwood Tan	<input type="checkbox"/> Black	<input type="checkbox"/> Bronze
		<input type="checkbox"/> Storm Gray	<input type="checkbox"/> Cement Gray
		<input type="checkbox"/> Aluminum Paint	<input type="checkbox"/> Coffee Tan
		<input type="checkbox"/> Warm White	<input type="checkbox"/> Glossy White



TO REMOVE - COMPRESS SPRING CLIPS & LIFT END FROM SLOT



### Additional Information:

### Submittal Notes

Project / Location:	
Engineer:	
Architect:	
Contractor:	