

LSD TYPE 6 Installation Instructions Duct Mount Bracket

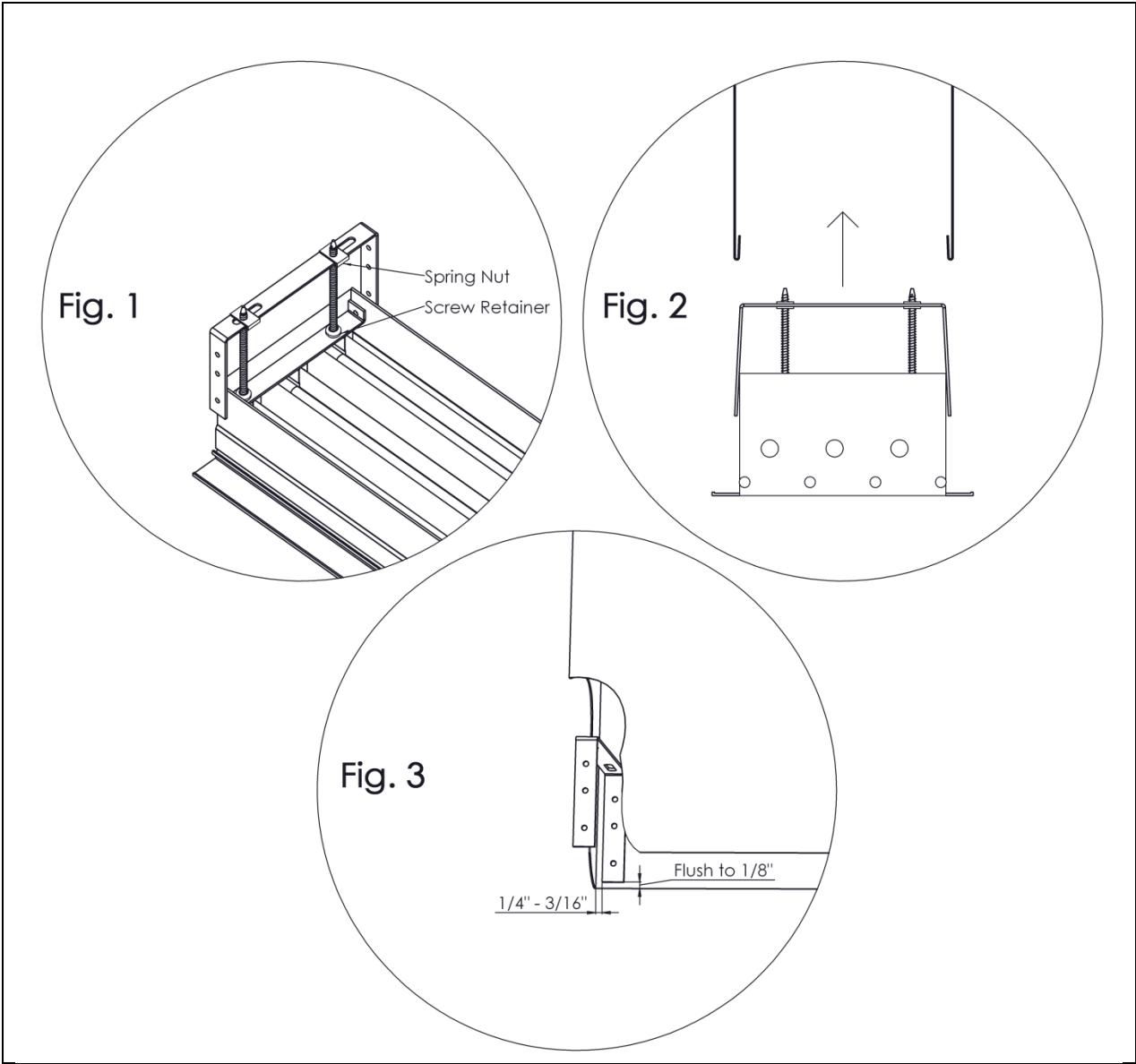
Duct Bracket and LSD Installation:

Installing in Duct with Rolled Edges (Recommended):

- Insert all 3" #8 screws into their mounting holes and secure in place with the screw retainers. Place duct bracket on the ends of the screws, start threading the screws into the spring nuts, just enough to hold bracket in place (1-2 turns) **(see FIG. 1)**
- Insert LSD into duct, as the LSD is inserted the duct brackets will pass by the rolled edge and "snap" outward, once all the brackets are above the rolled edge the LSD can be lowered, the legs of the duct bracket will sit in the rolled edge. **(see FIG. 2)**
- Tighten mounting screws (alternate back and forth on duct brackets requiring two mounting screws) DO NOT over tighten

Installing in Duct without Rolled Edges:

- Install duct brackets (legs down) $\frac{1}{4}$ " - $\frac{3}{16}$ " from each end of the duct. **(see FIG. 3)** When installing multiple brackets (4' and greater LSD length) install one at each end of the duct and install the center bracket(s) at the correct spacing, duct bracket spacing must match brackets attached to the LSD
- Bracket Leg should be flush to $\frac{1}{8}$ " above finished mounting surface **(see FIG. 3)**
- Secure each bracket leg with at least two screws or rivets
- Brackets are now Installed, make sure the spring nuts are aligned with the mounting holes in the LSD (adjust by sliding spring nuts side to side)
- Insert LSD into duct, direct mounting screws through mounting holes and thread into the spring nuts. DO NOT over tighten
- We recommend using every screw location for the most effective installation.



INSTALLATION INSTRUCTIONS

ADDITIONAL INFORMATION

Project	Review Notes
Location	
Engineer	
Contractor	