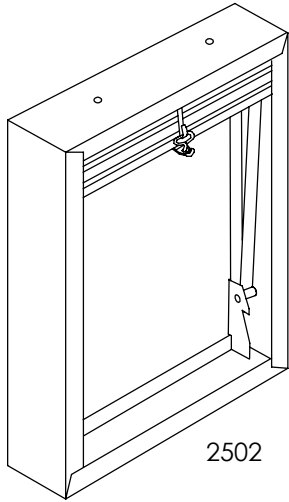
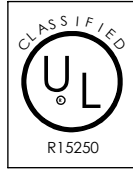


Fire Rated Submittal

Thin-line Frame 1 ½ Hour Curtain-Type Fire Damper
 MODEL: 2502, 2501 Series



2502



Standard Features:

- Square or rectangular spring actuated curtain-type fire damper for vertical or horizontal mount
- 2" thin-line roll formed frame
- Designed for use in wall, floors, and partitions with fire resistance ratings of 1-1/2 hours or less (for ceiling application, see 2700 Series)
- UL listed and tested in accordance with UL Standard 555
- 1 1/2 hour fire resistance rating
- Building materials rated 2 hours or less
- CSFM California State Fire Marshal listed
- Interlocking steel roll-formed blades
- Blade lock to secure blades once product is activated
- Damper manufactured from corrosion tested galvanized mild steel (G-90)
- 165° replaceable fusible link (#50)
- Maximum dimensions 41" W, 36" H (2502)

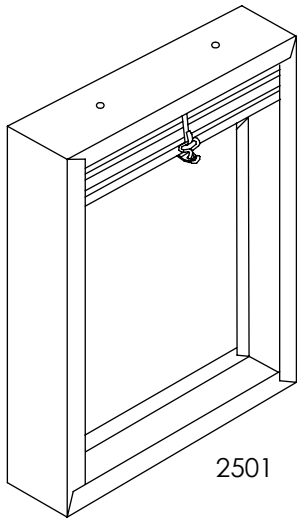
Options:

- Vertical mount only, maximum one piece size 48" W, 49" H (2501)
- Stainless steel
- Sleeves
- Fractional, exact O.D. dimensions
- 212° fusible link (#52)
- ETL link (#56)

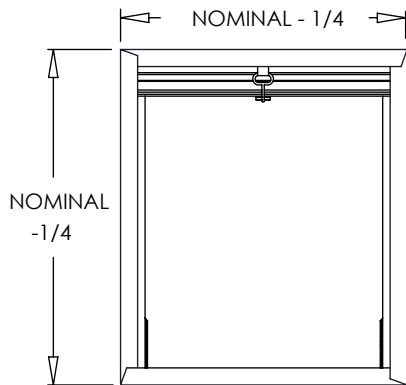
Finishes:

STANDARD COLORS

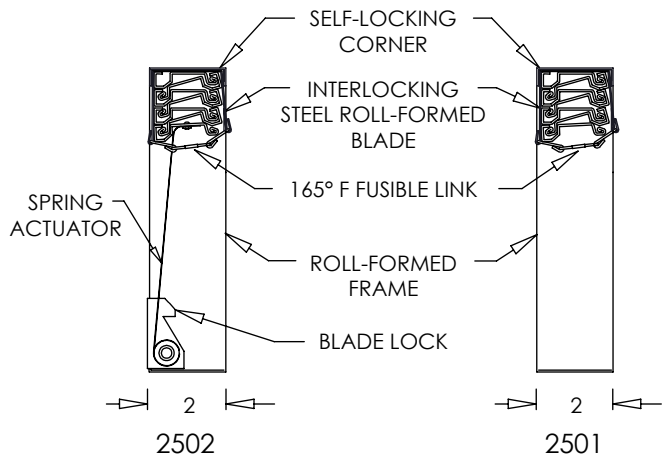
- Galvanized



2501



2501 & 2502



Additional Information:

Submittal Notes

Project / Location:	
Engineer:	
Architect:	
Contractor:	