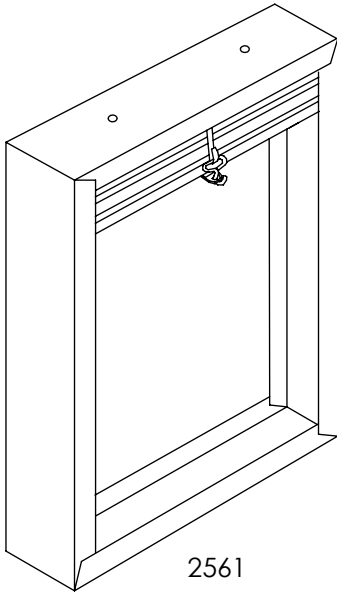
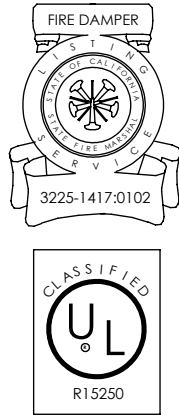


# Fire Rated Submittal

Thin-line 3 Hour Rated Fire Damper  
 MODEL: 2561 Series



2561



### Standard Features:

- Square or rectangular curtain-type fire damper for vertical mount only
- 2" thin-line roll formed frame
- Designed for use in wall and partitions with fire resistance ratings of 3 hours or less (for ceiling application, see 2700 Series)
- UL listed and tested in accordance with UL Standard 555
- 3 hour fire resistance rating
- Building materials rated 4 Hours or less
- CSFM California State Fire Marshal listed
- Interlocking steel roll-formed blade
- Damper manufactured from corrosion tested galvanized mild steel (G-90)
- 165° replaceable fusible link (#50)
- Maximum dimensions 48" W, 49" H

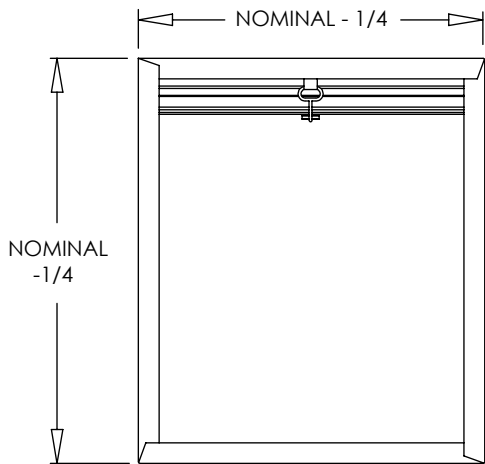
### Options:

- Stainless steel
- Sleeves
- Fractional, exact O.D. dimensions
- 212° fusible link (#52)
- ETL link (#56)

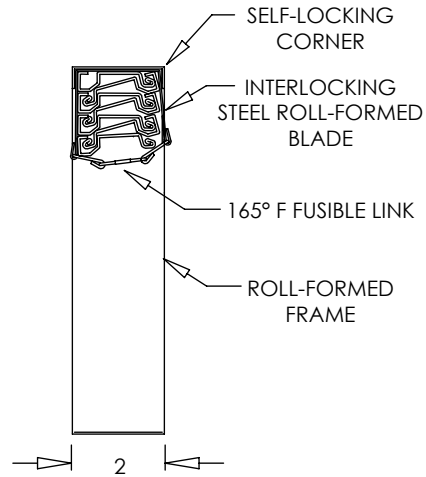
### Finishes:

STANDARD COLORS

- Galvanized



2561



2561

### Additional Information:

### Submittal Notes

Project / Location:	
Engineer:	
Architect:	
Contractor:	