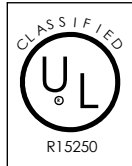
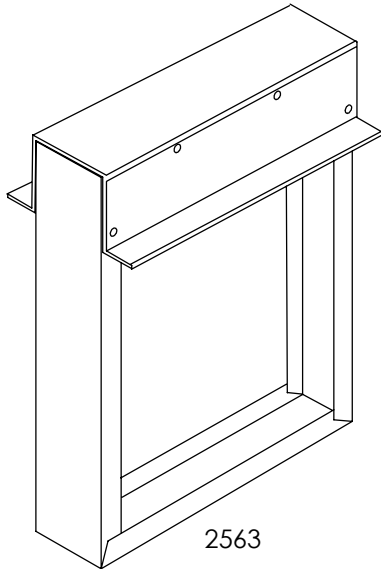


Fire Rated Submittal

Thin-line Out-of-Airstream 3 Hour Rated Fire Damper
 MODEL: 2563 Series



Standard Features:

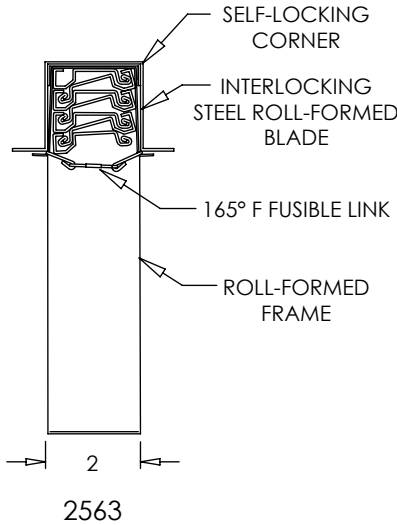
- Square or rectangular curtain-type fire damper for vertical mount only
- 2" thin-line roll formed frame with out-of-airstream blades
- Designed for use in wall and partitions with fire resistance ratings of 3 hours or less (for ceiling application, see 2700 Series)
- UL listed and tested in accordance with UL Standard 555
- 3 hour fire resistance rating
- Building materials rated 4 Hours or less
- CSFM California State Fire Marshal listed
- Interlocking steel roll-formed blade
- Damper manufactured from corrosion tested galvanized mild steel (G-90)
- 165° replaceable fusible link (#50)
- Maximum dimensions 48" W, 41" H

Options:

- Stainless steel
- Sleeves
- Fractional, exact O.D. dimensions
- 212° fusible link (#52)
- ETL link (#56)

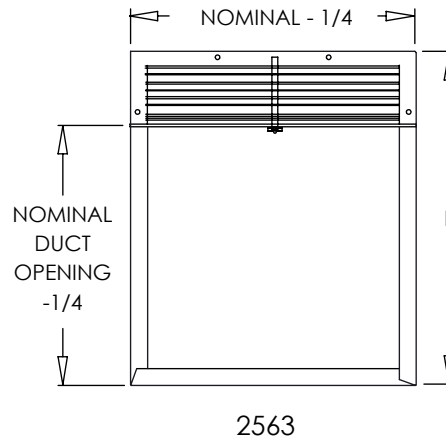
Finishes:

- STANDARD COLORS
- Galvanized



2563 Frame Height	
Duct Size	Height (B)
4"-7"	+1 3/4"
8"-12"	+2 3/4"
13"-17"	+3 3/4"
18"-24"	+4 3/4"
25"-28"	+5 3/4"
29"-34"	+6 3/4"
35"-41"	+7 3/4"

Example: Height (B) for 20" duct would be 24 3/4".



Additional Information:

Submittal Notes

Project / Location:	
Engineer:	
Architect:	
Contractor:	