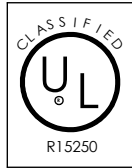
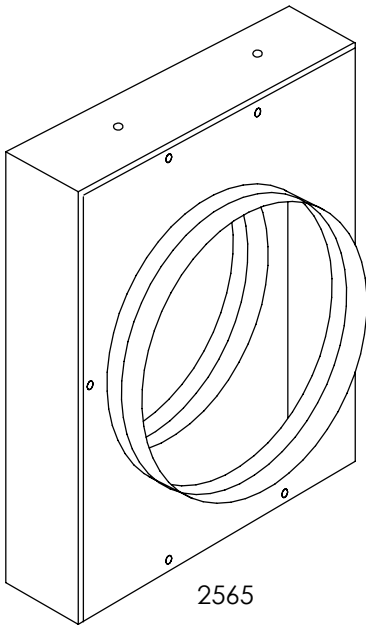


Fire Rated Submittal

Round Thin-line Out-of-Airstream 3 Hour Rated Fire
 MODEL: 2565 Series



Standard Features:

- Curtain-type fire damper with round connection for vertical mount only
- 2" thin-line roll formed out-of-airstream blades
- Designed for use in wall and partitions with fire resistance ratings of 3 hours or less (for ceiling application, see 2700 Series)
- UL listed and tested in accordance with UL Standard 555
- 3 hour fire resistance rating
- Building materials rated 4 Hours or less
- Interlocking steel roll-formed blade
- Damper manufactured from corrosion tested galvanized mild steel (G-90)
- 165° replaceable fusible link (#50)
- Available in 4" through 28" round

Options:

- Stainless steel
- Sleeves
- 212° fusible link (#52)
- ETL link (#56)

Finishes:

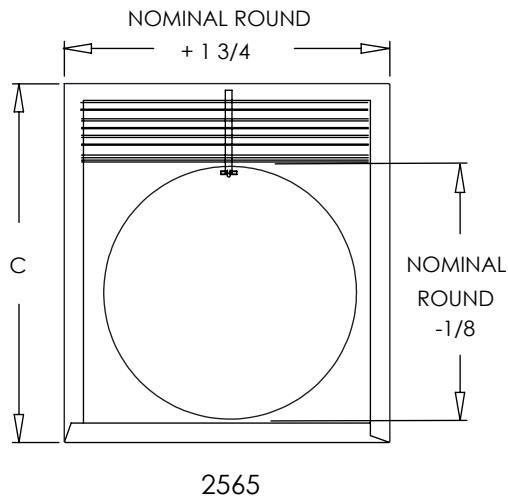
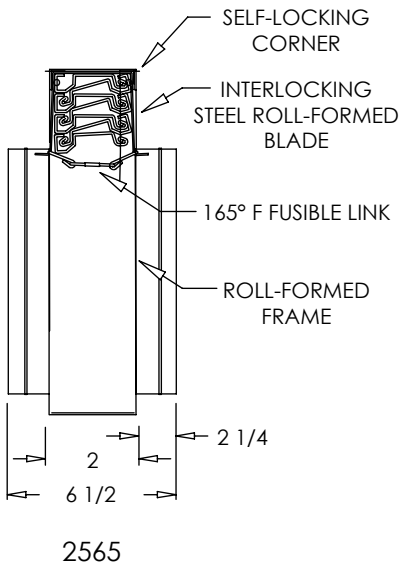
STANDARD COLORS

- Galvanized

2565 Frame Height

Duct Size	Height (C)
4"-7"	+2 3/4"
8"-12"	+3 3/4"
13"-17"	+4 3/4"
18"-24"	+5 3/4"
25"-28"	+6 3/4"

Example: Height (C) for 20" duct would be 25 3/4".



Additional Information:

Submittal Notes

Project / Location:	
Engineer:	
Architect:	
Contractor:	