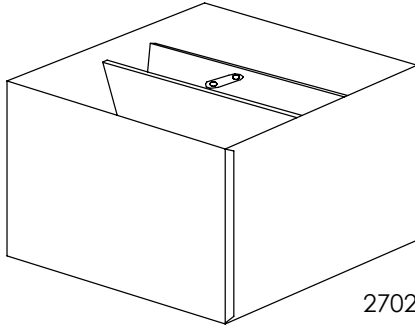
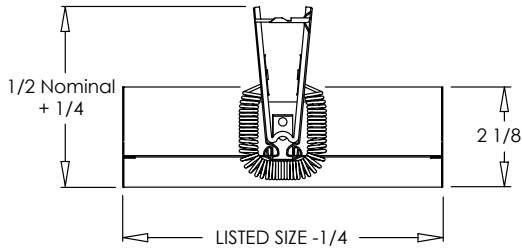


2701



2702



2701
 SQUARE OR RECTANGULAR

Standard Features:

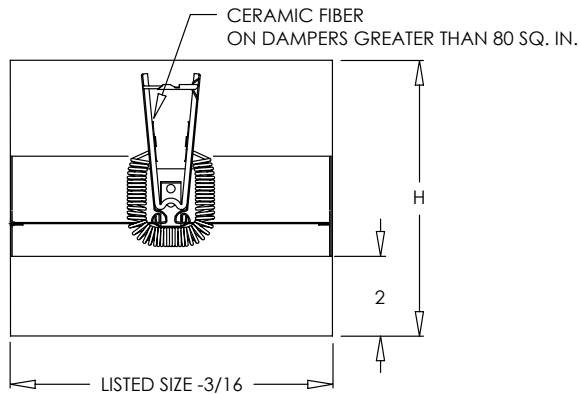
- Square or rectangular ceiling radiation butterfly damper
- Designed for protection of ceiling openings in fire rated floor/ceiling assemblies with fire resistance rating of 3 hours or less
- UL listed and tested in accordance with UL Standard 555C
- 3 hour fire resistance rating
- Building materials rated 3 hours or less
- CSFM California State Fire Marshal listed
- Zinc plated steel closure spring
- All steel parts with galvanized finish or zinc coating
- 22 gauge butterfly style galvanized steel blades
- 22 gauge galvanized steel roll formed frame
- Ceramic fiber blade insulation with fiberglass cover*
- 165° replaceable fusible link
- Maximum single section size 24"x24"
- Minimum size is 4"x4"

Options:

- Extended sleeve (2702)
- 212° Fusible Link
- Stainless Steel

2702 Extended Sleeve Height

Duct Size	Height (H)
6" - 10"	8"
12" - 14"	10"
15" - 18"	12"
20" - 22"	14"
24"	15"



2702
 SQUARE OR RECTANGULAR
 WITH EXTENDED SLEEVE



Product Notes:

*Ceramic fiber blade insulation is not U.L. required on dampers with free areas less than 80 sq. inches. Dampers with free areas greater than 80 sq. inches are constructed with ceramic fiber blade insulation

Additional Information:

Submittal Notes

Project / Location:	
Engineer:	
Architect:	
Contractor:	