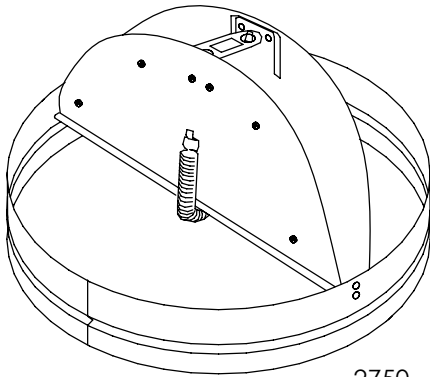
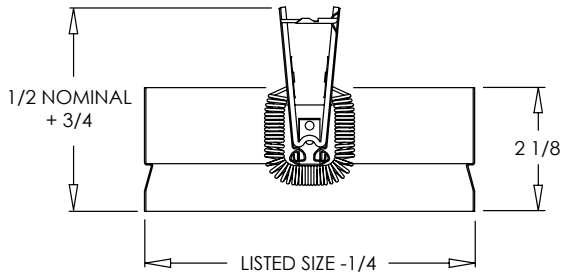


# Fire Rated Submittal

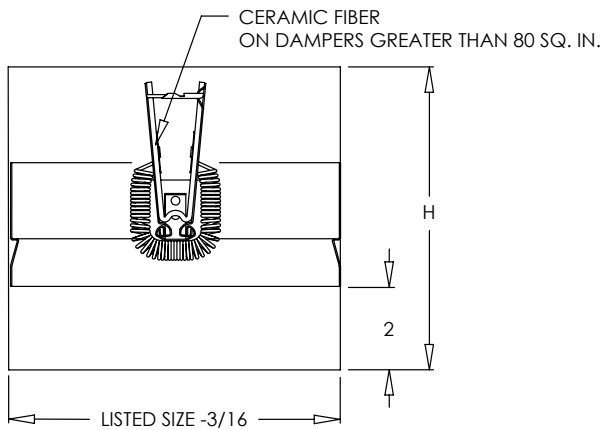
Round 3 Hour Rated Ceiling Radiation Butterfly Damper  
 MODEL: 2750Series



2750  
ROUND



2750  
ROUND



2751  
ROUND WITH EXTENDED SLEEVE

### Standard Features:

- Round ceiling radiation butterfly damper
- Designed for protection of ceiling openings in fire rated floor/ceiling assemblies with fire resistance ratings of 3 hours or less
- UL listed and tested in accordance with UL Standard 555C
- 3 hour fire resistance rating
- Building materials rated 3 Hours or less
- CSFM California State Fire Marshal listed
- Zinc plated steel closure spring
- All steel parts with galvanized finish or zinc coating
- 22 gauge butterfly style galvanized steel blades
- 22 gauge galvanized steel roll formed frame
- Ceramic fiber blade insulation with fiberglass cover\*
- 165° replaceable fusible link
- Available in 4" through 24" round

### Options:

- Extended sleeve (2751)
- 212° Fusible Link
- Stainless Steel

#### 2751 Extended Sleeve Height

Duct Size	Height (H)
4" - 10"	8"
12" - 14"	10"
15" - 18"	12"
20" - 22"	14"
24"	15"



### Product Notes:

\*Ceramic fiber blade insulation is not U.L. required on dampers with free areas less than 80 sq. inches. Dampers with free areas greater than 80 sq. inches are constructed with ceramic fiber blade insulation

### Additional Information:

### Submittal Notes

Project / Location:	
Engineer:	
Architect:	
Contractor:	