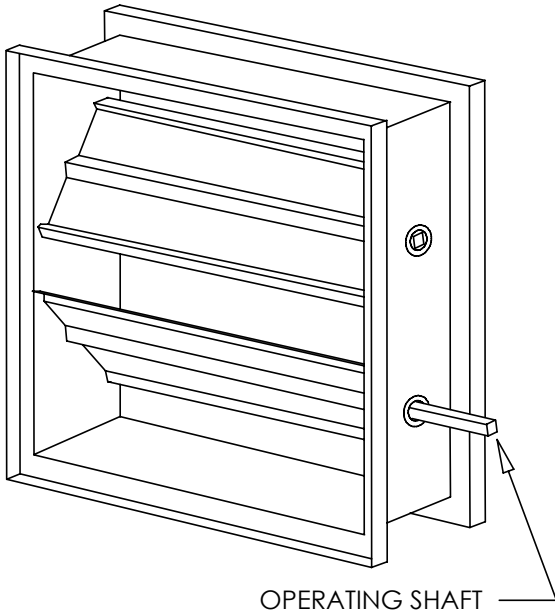


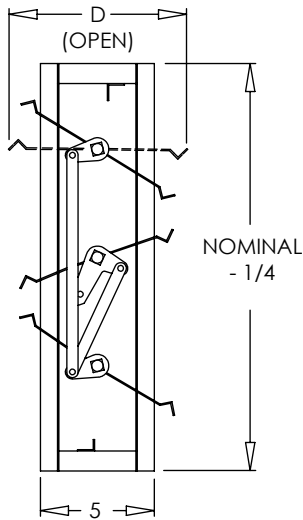
# Damper Louver Submittal

## Opposed Blade Air Control Damper

MODEL: 3000 OBD Series



OPERATING SHAFT



3000-OBD

### Standard Features:

- Opposed blade operation for precise volume control
- 16 gauge galvanized channel frame
- Galvanized blades are vee stiffened for extra strength and stability
- Blades pivot on high temperature nylon bushings
- 1/2" square zinc plated steel pivot pins
- 1/2" square zinc plated steel adjustable operating shaft, extends up to 4" beyond the air control frame
- Blades run parallel to first dimension given
- Blades must be operated on horizontal plane
- Minimum size 8"x8"
- Maximum one piece size 48"x48"
- Galvanized Finish

### Options:

Low Leak Package: features stainless steel jamb seals, blade to blade neoprene seals, and 3% maximum leakage with a pressure differential 3" W.C. (3000-OB DLL)

Air control damper with aluminum airfoil blades. The airfoil blade design provides excellent pressure drop performance over standard blade design. (3000AF-OBD)

12 gauge galvanized construction

Extended square operating shaft (extending 7 1/2" beyond the air control frame)

Round operating shaft (1/2" diameter)

Spring opening damper

Spring closing damper

Oil impregnated bronze bearings

Outside mounting flange

Direct mount damper motor (field installed.) Mounts on operating shaft.

Standard operating shaft position is bottom right, back side of damper blades when viewed from the face of the product.

Fractional and exact O.D. dimensions

### Finishes:

STANDARD COLORS

- Galvanized

3000 OBD		3000 OBD		3000 OBD	
HEIGHT	OPEN DEPTH (D)	HEIGHT	OPEN DEPTH (D)	HEIGHT	OPEN DEPTH (D)
8"	5"	22"	7"	36"	8"
10"	5 1/2"	24"	8"	38"	6 1/2"
12"	5 3/4"	26"	6 1/2"	40"	7"
14"	6"	28"	7"	42"	8"
16"	7"	30"	8"	44"	6 1/2"
18"	8"	32"	6 1/2"	46"	7"
20"	6 1/2"	34"	7"	48"	8"

Note Add 1 3/8" to Open Depth (D) for Low Leak Package

### Additional Information:

### Submittal Notes

Project / Location:

Engineer:

Architect:

Contractor: