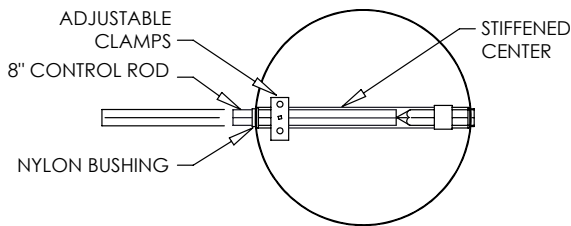
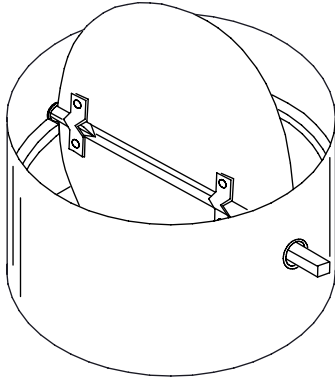


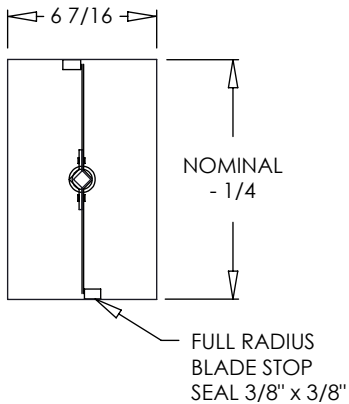
Damper Louver Submittal

Round Air Control Damper

MODEL: 3000 PR Series



3000P-R



Standard Features:

- Round damper designed for volume control
- 16 gauge galvanized channel frame
- Single galvanized blade is vee stiffened for extra strength and stability
- Blades pivot on high temperature nylon bushings
- 1/2" square zinc plated steel pivot pins
- 1/2" square zinc plated steel adjustable operating shaft, extends up to 4" beyond the air control frame
- Minimum size 5"
- Maximum size 24"
- Fractional and exact sizes available
- Galvanized Finish

Options:

- Low Leak Package: features silicone caulk seal
- Extended round operating shaft (extending 8" beyond the air control frame)
- Round operating shaft (1/2" diameter)
- Oil impregnated bronze bearings
- Direct mount damper motor (field installed). Mounts on operating shaft.
- Fractional and exact O.D. dimensions

Finishes:

STANDARD COLORS

- Galvanized

Additional Information:

Submittal Notes

Project / Location:	
Engineer:	
Architect:	
Contractor:	