

**Standard Features:**

- Horizontal mount air down configuration
- Dampers are opened by air pressure differential and closed by gravity
- 16 gauge channel frame
- Galvanized blades are 26 gauge and vee stiffened for extra strength and stability
- Out of airstream linkage
- Single blades on dampers with a height of 10" or less
- Blades run parallel to first dimension given
- Square steel pivot pins in nylon bushings
- Foam tape sealed blade edges to dampen noise
- Minimum size 6"x6"
- Maximum size 48"x48"
- Galvanized Finish

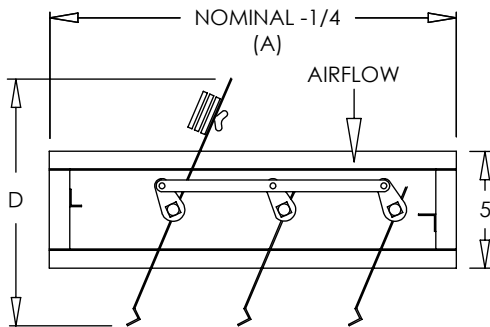
**Options:**

Adjustable counter balance arms mounted to center of blades. Adjustable weights can be positioned along arm for various opening pressures. (Available only on dampers with multiple blades.)  
 Double blades on dampers with a height of 8" or 10" (i.e. 3560-8x8 DB.)  
 Outside mounting flange  
 Bronze bearings  
 Sleeves (contact factory for details)  
 Fractional and exact O.D. dimensions

**Finishes:**

STANDARD COLORS

- Galvanized



3570

3570		3570	
DIMENSION (A)	OPEN DEPTH (D)	DIMENSION (A)	OPEN DEPTH (D)
6"	11 5/8"	26"	12 7/8"
8"	13 5/8"	28"	13 3/8"
8" DB.	11 5/8"	30"	14 3/8"
10"	15 5/8"	32"	12 7/8"
10" DB.	11 5/8"	34"	13 3/8"
12"	11 5/8"	36"	14 3/8"
14"	12 1/8"	38"	12 7/8"
16"	13 3/8"	40"	13 3/8"
18"	14 3/8"	42"	14 3/8"
20"	12 7/8"	44"	12 7/8"
22"	13 3/8"	46"	13 3/8"
24"	14 3/8"	48"	14 3/8"

**Additional Information:**

**Submittal Notes**

Project / Location:	
Engineer:	
Architect:	
Contractor:	