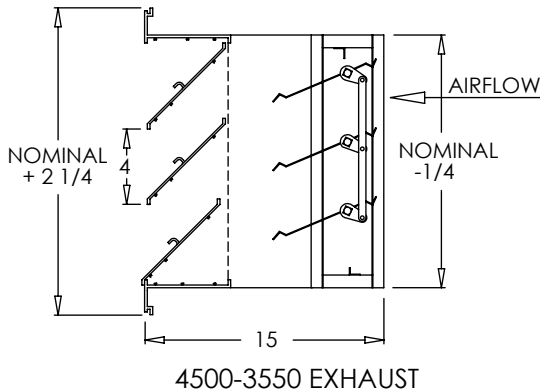
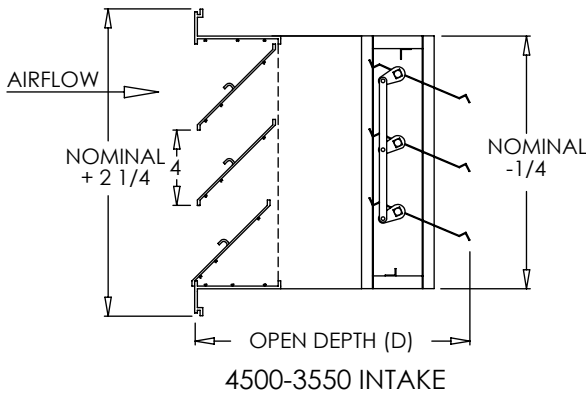
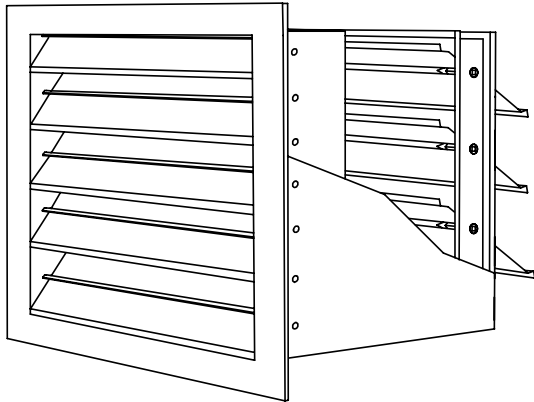


Damper Louver Submittal

Combination Stationary 4" Outside Air Louver with Vertical Mount Backdraft Damper

MODEL: 4500-3550 Series



Standard Features:

- Dampers and louvers can be combined with a 20 gauge steel sleeve to create an environment to regulate airflow in or out of a louver with an operable blade damper.
- Minimum size 6"x6"
- Maximum one piece size 48"x48"

4500:

- Extruded aluminum construction
- Storm bend on louvers to minimize water from entering behind louver
- Standard flange frame
- 4" depth
- Bird screen (1/2" x 1/2")
- Louvers set at 45° on 4" centers
- Blades run parallel to first dimension given
- Driftwood Tan

3550:

- Dampers are opened by air pressure differential and closed by gravity for intake or exhaust air
- 16 gauge channel frame
- Galvanized blades are 26 gauge and vee stiffened for extra strength and stability
- Out of airstream linkage
- Single blades on dampers with a height of 10" or less
- Blades run parallel to first dimension given
- Adjustable counter balance arms mounted on linkage side
- Adjustable weights can be positioned along arm for various opening pressures (only on dampers with multiple blades)
- Square steel pivot pins in nylon bushings
- Foam tape sealed blade edges to dampen noise
- Galvanized Finish

Options:

- Flush mount channel frame (4500-CF-3550)
- Offset flange frame, must specify flange placement (4500-OF-3550)
- Insect Screen (4500-IS-3550)
- Bronze bearings
- Double blades on dampers with a height of 8" or 10" (i.e. 4500-3550-8x8 DB.)
- Fractional, exact I.D. and O.D. dimensions

Finishes (louver only):

STANDARD COLORS

- Soft White
- Driftwood Tan
- Mill Finish

DESIGNER COLORS

- Black
- Bronze
- Storm Gray
- Cement Gray

- Aluminum Paint
- Coffee Tan
- Warm White
- Glossy White

Additional Information:

Submittal Notes

Project / Location:

Engineer:

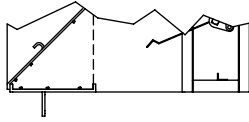
Architect:

Contractor:

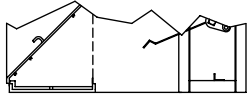
Damper Louver Submittal

Combination Stationary 4" Outside Air Louver with Vertical Mount Backdraft Damper

MODEL: 4500-3550 Series



Offset Flange Frame
 4500-3550 EXHAUST OF



Flush Mount Channel Frame
 4500-3550 EXHAUST CF

4500-3550	
HEIGHT	OPEN DEPTH (D)
6"	11 5/8"
8"	13 5/8"
8" DB.	11 5/8"
10"	15 5/8"
10" DB.	11 5/8"
12"	11 5/8"
14"	12 3/8"
16"	13 3/8"

4500-3550	
HEIGHT	OPEN DEPTH (D)
18"	14 3/8"
20"	12 7/8"
22"	13 3/8"
24"	14 3/8"
26"	12 7/8"
28"	13 3/8"
30"	14 3/8"
32"	12 7/8"

4500-3550	
HEIGHT	OPEN DEPTH (D)
34"	13 3/8"
36"	14 3/8"
38"	12 7/8"
40"	13 3/8"
42"	14 3/8"
44"	12 7/8"
46"	13 3/8"
48"	14 3/8"

Additional Information:

Submittal Notes

Project / Location:	
Engineer:	
Architect:	
Contractor:	