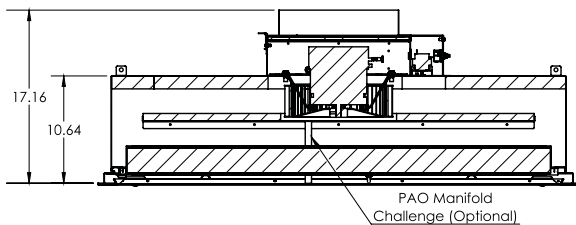
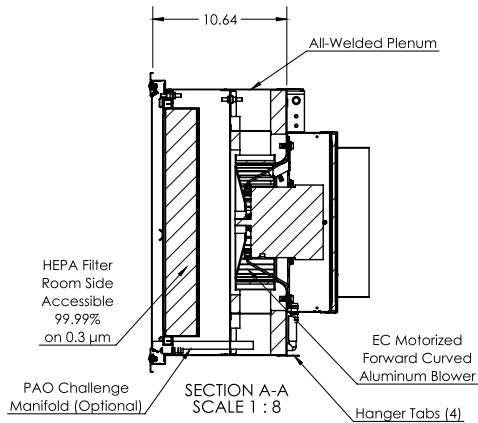
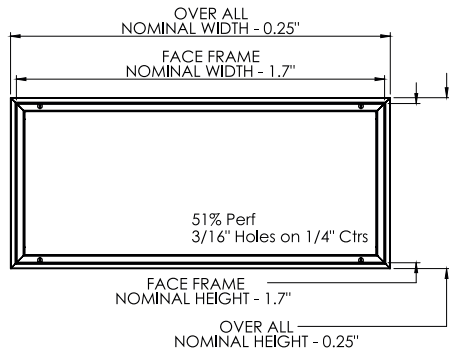


# Commercial Submittal

## Fan Powered Laminar Flow Diffuser with HEPA Filter

MODEL: 5700



### Standard Features:

- Type 304 stainless steel
- High capacity/airflow range design laminar flow diffuser
- Perforated face design has 3/16" diameter holes on 1/4" staggered centers
- 51% Free Area
- HEPA filter
- Digital controlled ECM motor provides constant airflow for even air distribution and field balancing
- Digital controller displays airflow (CFM)
- Produces non aspirating, low velocity vertical air pattern; providing controlled downward projection of conditioned supply air
- 100% shut off damper eliminates considerable time and effort involved in changing filters
- Removable face plate allows for easy cleaning; secured by 1/4 turn fasteners
- Safety cables to prevent dropping of face
- Round inlets for simple duct connection
- Standard unit designed for both lay-in T-Bar ceiling systems and surface mount applications
- Integral earthquake hanger tabs
- #4 satin polished finish

### Options:

- Type 316 Stainless
- Lighted diffuser
- Aluminum construction
- (1) Pressure Port
- (2) Pressure Port
- PAO challenge manifold (requires 2 Pressure Ports)
- HEPA-Iert Filter Monitor

### Inlet Options:

- Rectangle Inlet
- Oval Inlet

### Filter Options:

- ULPA Filter

### Electronic Options:

- 120VAC (Standard)
- 208VAC
- 240VAC
- 277VAC

### Additional Information:

### Submittal Notes

Project / Location:	
Engineer:	
Architect:	
Contractor:	