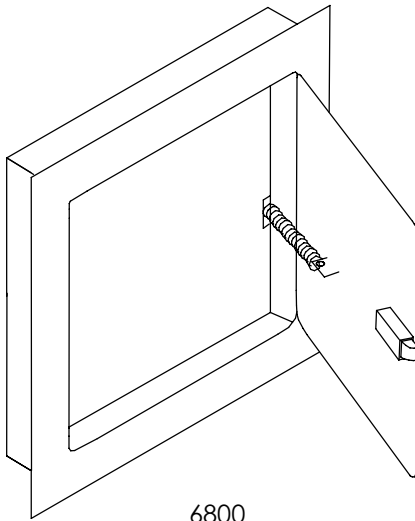


# Fire Rated Submittal

## Fire Rated Wall Access Door

MODEL: 6800 Series



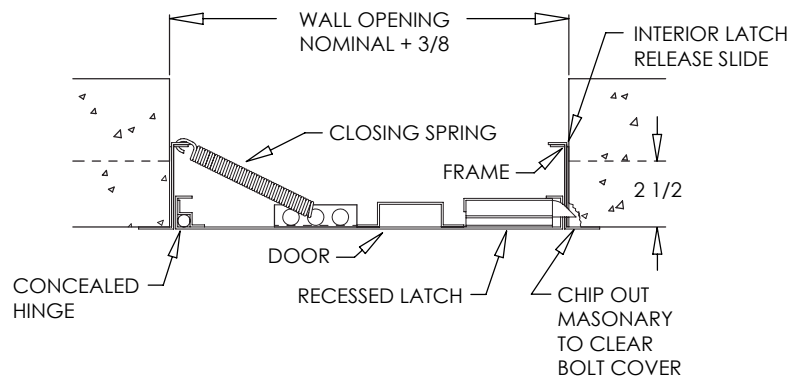
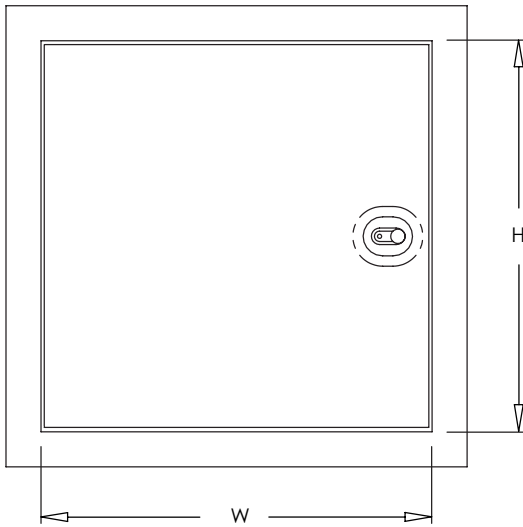
6800

### Standard Features:

- UL listed and tested with fire resistance rating for 1 1/2 hours
- 16 gauge galvalume steel door and frame construction
- Door has heavy duty spring closure for positive latching when panel closes
- Exterior recessed latch is operated using a ring attached to the sliding bolt
- Masonry anchors and bolt holes on frame for installation in various types of wall construction
- Concealed hinge
- Available 8x8 through 36x48
- White Prime Coat Finish

### Options:

- Stainless steel (6800-SS)
- Cylinder lock (one per door) (6800-CL)



### Additional Information:

### Submittal Notes

Project / Location:

Engineer:

Architect:

Contractor: