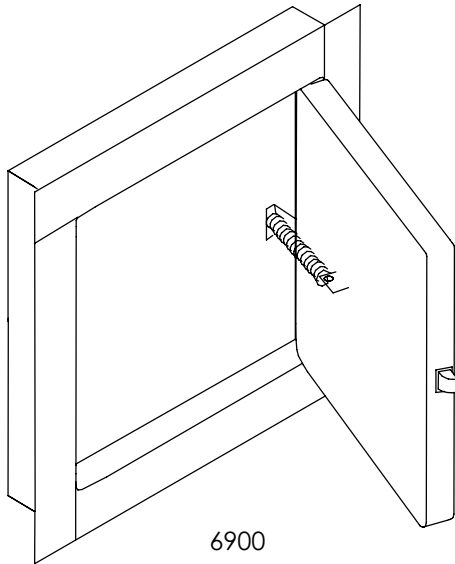


# Fire Rated Submittal

## Fire Rated Ceiling Access Door

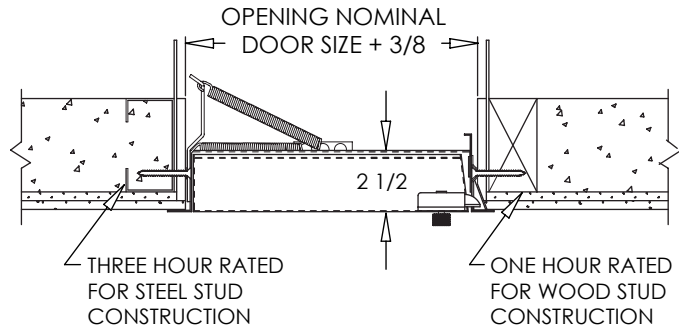
MODEL: 6900 Series



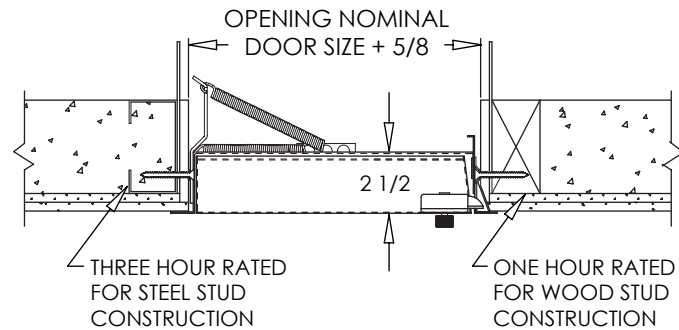
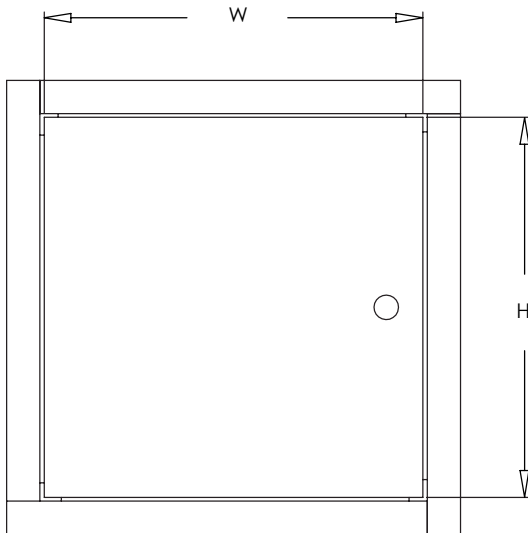
6900

### Standard Features:

- UL listed and tested with fire resistance rating for 1 1/2 hours
- Rated by Warnock Hersey for up to 3 hours in ceilings and up to 2 hours in walls
- 20 gauge galvanized steel door
- 16 gauge galvanized steel frame
- Door has heavy duty spring closure for positive latching when panel door closes
- 2" insulation in door
- Exterior latch is operated using a knurled knob and key operation
- Interior latch release slide enables door to be opened from inside
- Continuous piano type hinge parallel to longest dimension
- Available 8x8 through 24x36
- White Prime Coat Finish



6900  
WALL OPENING



6900  
CEILING OPENING

### Product Notes:

\*The hour rating depends both on materials used in construction and the mounting application, - i.e. ceiling versus wall mount.

### Additional Information:

### Submittal Notes

Project / Location:	
Engineer:	
Architect:	
Contractor:	