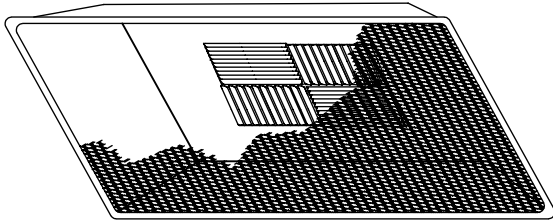


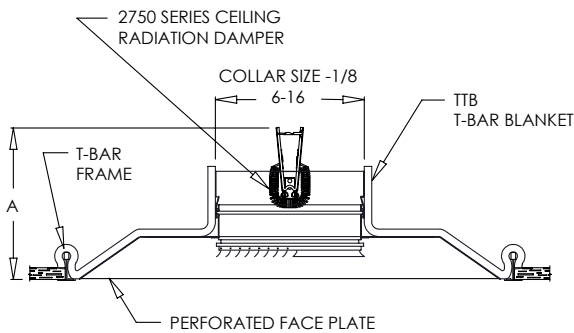
Fire Rated Submittal

U.L. Fire Resistance Classified Perforated T-Bar Modular Core Diffuser
 MODEL: 825MA-FR Series



Standard Features:

- T-Bar FR assembly includes 2750 Series Ceiling Radiation Damper and TTB Series Thermal Blanket
- UL listed fire resistance T-Bar
- 3 hour fire resistance rating
- Building materials rated 3 hours or less
- 2X2 panel
- Adjustable modular cores with fixed curved blades
- Hinged perforated face with spring push release for easy access
- 3/16" holes on 1/4" staggered centers
- 2" ADC compliant round collar with bead for ease of installation
- Collar sizes available in 6", 7", 8", 9", 10", 12", 14", & 16"
- Rust resistant pre-coat with durable powder finish
- Soft White



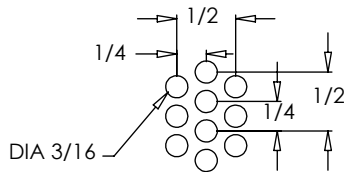
Finishes:

STANDARD COLORS

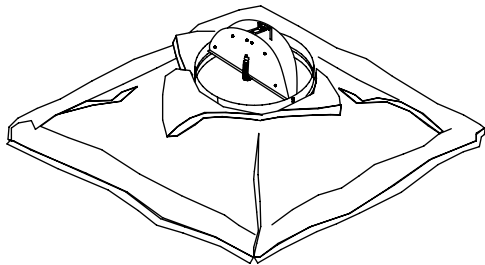
- Soft White
- Driftwood Tan

DESIGNER COLORS

- Black
- Bronze
- Storm Gray
- Cement Gray
- Aluminum Paint
- Coffee Tan
- Warm White
- Glossy White



Perforated Screen Detail



Maximum Product Height	
DAMPER SIZE	HEIGHT (A)
6"	6 1/2"
7"	7"
8"	7 1/2"
9"	8"
10"	8 1/2"
12"	9 1/2"
14"	10 1/2"
16"	11 1/2"



Additional Information:

Submittal Notes

Project / Location:	
Engineer:	
Architect:	
Contractor:	