

Standard Features:

- Steel construction
- Fan shaped 1/2" spaced louvers
- Steel multi-shutter damper
- Margin edges are 7/8" projection for baseboard installation
- Mounting holes with color matching 2" baseboard Philips screws
- All component parts, rivets, linkage, and handle enclosed in valve to assure trouble-free operation
- Rust resistant pre-coat with durable powder finish
- Soft white

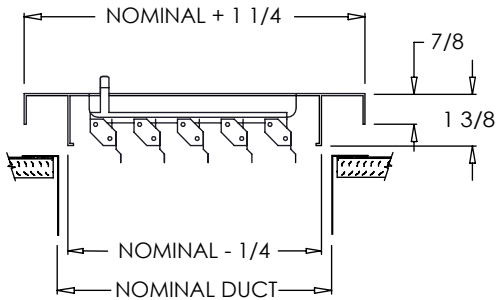
Finishes:

STANDARD COLORS

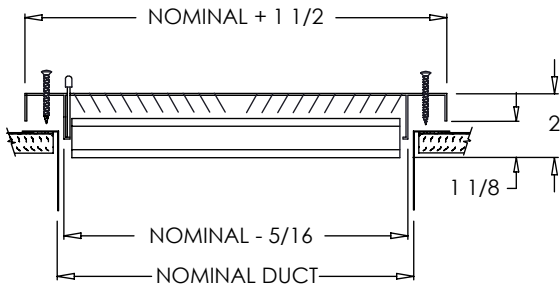
- Soft White
- Driftwood Tan

DESIGNER COLORS

- Black
- Bronze
- Storm Gray
- Cement Gray
- Aluminum Paint
- Coffee Tan
- Warm White
- Glossy White



855



855

Additional Information:

Submittal Notes

Project / Location:	
Engineer:	
Architect:	
Contractor:	