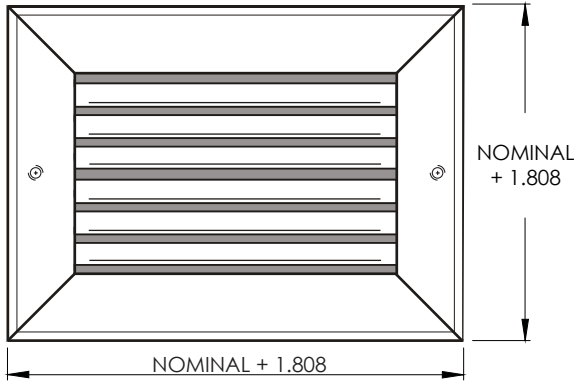


Commercial Submittal

Stainless Steel Blade Grille with 45° Fixed Blade (blades parallel to longest dimension)
 MODEL: 935-SS

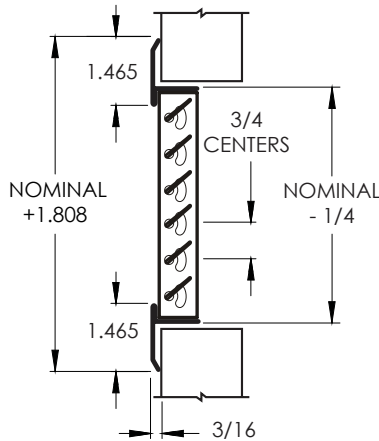
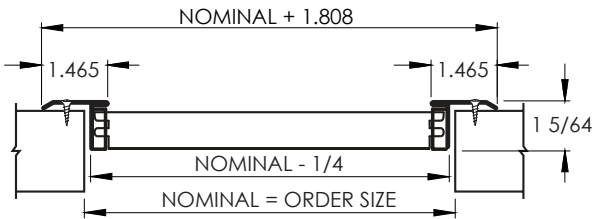


Standard Features:

- Type 304 stainless steel
- Fixed airfoil blades at 45° are parallel to longest dimension
- Blades are set on 3/4" centers
- Countersunk mounting holes with stainless sheet metal screws
- Minimum size 4"x4"
- Maximum size 60"x48"
- Satin polished finish

Options:

- Type 316 stainless steel
- Opposed blade damper
- Available blade centers at 1/2"
- Heavy duty construction
- Square to round transition collar
- T-Bar application
- Tamper Proof Screws – stainless steel Torx Center Pin



Additional Information:

Submittal Notes

Project / Location:	
Engineer:	
Architect:	
Contractor:	