

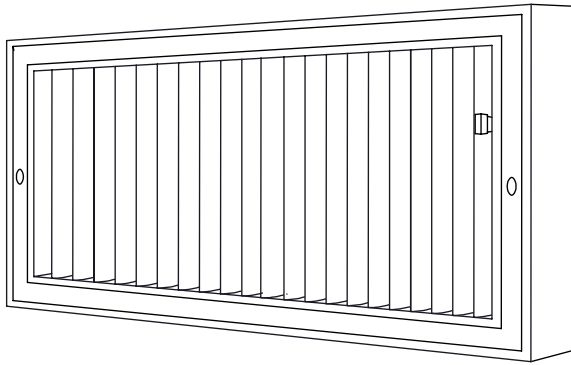


CSW Industrials Companies

Residential Submittal

Adjustable Baseboard Register

MODEL: 955 Series



Standard Features:

- Extruded aluminum frame with signature line marks
- Adjustable steel blades are parallel to shortest dimension
- Margin edges are 7/8" projection for baseboard installation
- Nylon bushings for easy adjustment and quiet setting of airfoil blades
- Lever operated multi-shutter damper
- Countersunk mounting holes with color matching 2" baseboard Phillips screws
- All component parts, rivets, linkage, and handle enclosed in valve to assure trouble-free operation
- Rust resistant pre-coat with durable powder finish
- Soft white

Options:

- Recessed screwdriver operated Opposed Blade Damper (955-0)
- T-20 Tamper Proof Screws

Finishes:

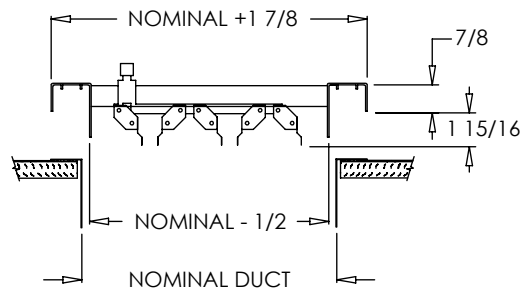
STANDARD COLORS

- Soft White
- Driftwood Tan

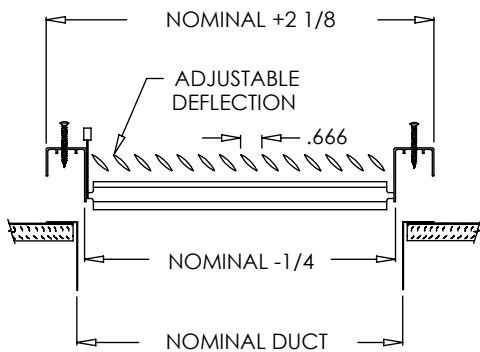
DESIGNER COLORS

- Black
- Bronze
- Storm Gray
- Cement Gray

- Aluminum Paint
- Coffee Tan
- Warm White
- Glossy White



955-O



955

Additional Information:

Submittal Notes

| | |
|---------------------|--|
| Project / Location: | |
| Engineer: | |
| Architect: | |
| Contractor: | |