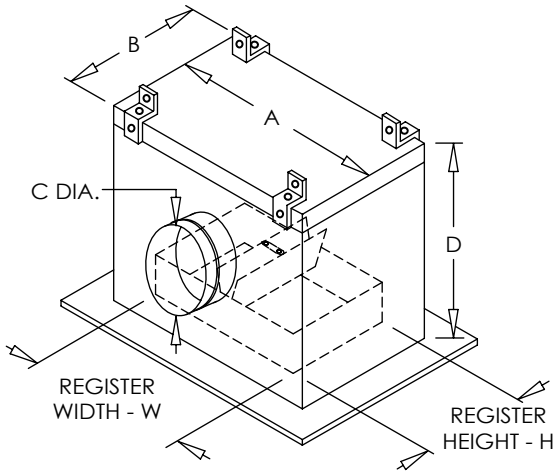


Fire Rated Submittal

1 Hour Ceiling Box Assembly Unit with Rectangular Ceiling Radiation Butterfly Damper

MODEL: CRD50 EA-BT-6.0 Series



"A" = W+3" "B" = H+3"

"D" = Collar Dia.+6"

Standard Features:

- Factory assembled plenum box with side outlet and square or rectangular ceiling radiation damper
- UL rated for floor/ceiling and roof/ceiling wood truss assemblies L528, L558, L562, L563, L574, L585, P533, P544, P545 and P547 types
- Meets UL263 and NFPA 90A requirements
- CSFM California State Fire Marshal listed

Ceiling Radiation Damper:

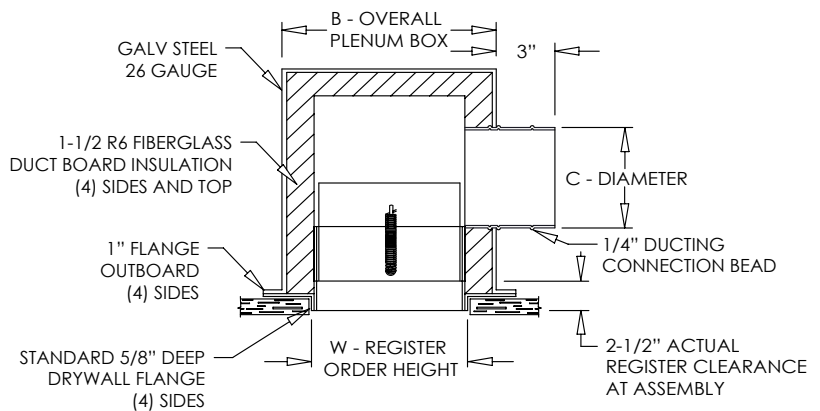
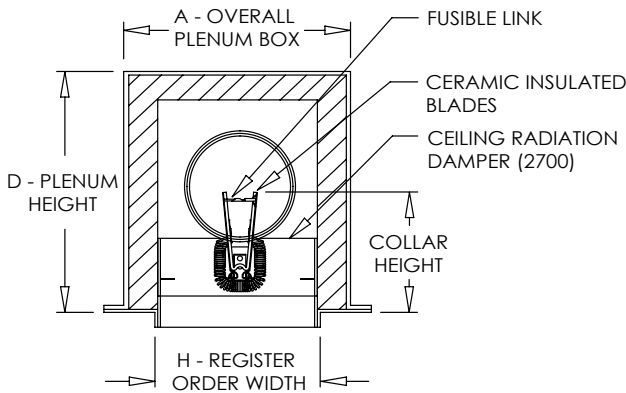
- 165° fusible link
- 22 gauge galvanized steel blades with ceramic fiberglass cover*
- Roll formed 22 gauge galvanized steel frame

Plenum Box:

- Plenum outer box made of 26 gauge galvanized steel
- Roll formed 26 gauge galvanized steel collar with 1/4" bead
- Fiberglass duct board 1 1/2" thick (R6)
- Minimum size 4"x4"x2" (collar)
- Maximum size 16"x16"x12" (collar)

Options:

- Extended length drywall flange
- Stainless steel



Product Notes:

*Ceramic fiber blade insulation is not U.L. required on dampers with free areas less than 80 sq. inches. Dampers with free areas greater than 80 sq. inches are constructed with ceramic fiber blade insulation

Additional Information:

Submittal Notes

Project / Location:	
Engineer:	
Architect:	
Contractor:	