

**Standard Features:**

- Factory assembled plenum box with top outlet and round ceiling radiation damper
- UL rated for floor/ceiling and roof/ceiling assemblies L528, L558, L562, L563, L574, L585, P533, P544, P545 and P547
- Meets UL263 and NFPA 90A requirements
- CSFM California State Fire Marshal listed

**Ceiling Radiation Damper:**

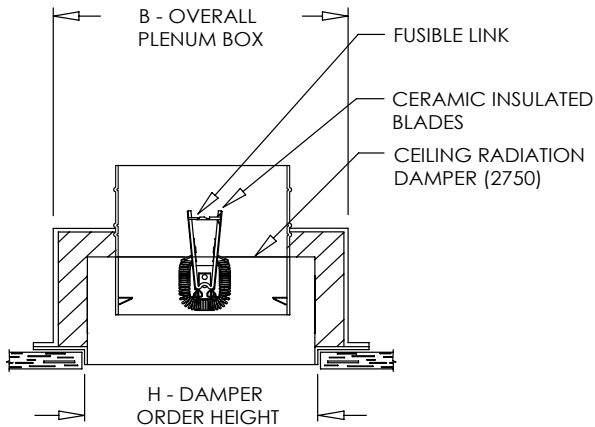
- 165° fusible link
- 22 gauge galvanized steel blades with ceramic fiberglass cover\*
- Roll formed 22 gauge galvanized steel frame

**Plenum Box:**

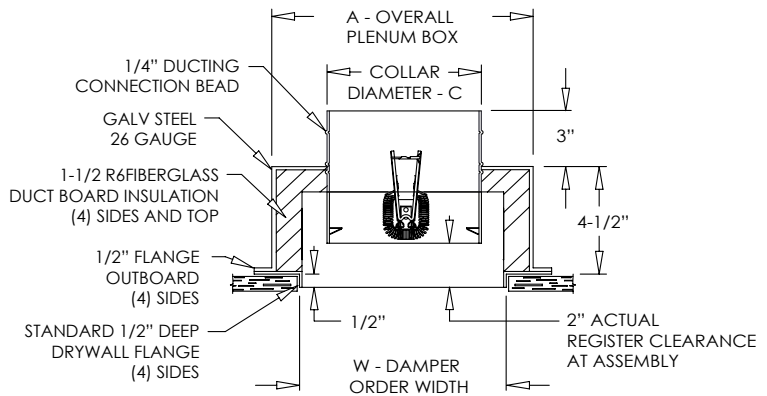
- Plenum outer box made of 26 gauge galvanized steel
- Roll formed 26 gauge galvanized steel collar with 1/4" bead
- Fiberglass duct board 1 1/2" thick (R6)
- Minimum size 7"x7"x4" (collar)
- Maximum size 16"x16"x12" (collar)

**Options:**

- Extended length drywall flange
- Stainless steel



**"A" = W+3    "B" = H+3**



**Product Notes:**

\*Ceramic fiber blade insulation is not U.L. required on dampers with free areas less than 80 sq. inches. Dampers with free areas greater than 80 sq. inches are constructed with ceramic fiber blade insulation

**Additional Information:**

**Submittal Notes**

Project / Location:	
Engineer:	
Architect:	
Contractor:	