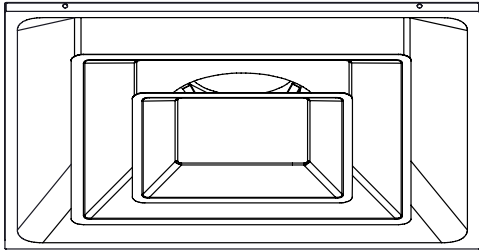


Commercial Submittal

3 Cone T-Bar Diffuser

MODEL: HVL



Standard Features:

- 3 cone steel diffuser with hinged core for easy duct access
- Designed for high volume air delivery
- Delivers supply air in a 360° air pattern
- 2" ADC compliant round collar with bead for ease of installation
- Collar sizes available in 4"-10", 12", 14", and 16"
- Rust resistant pre-coat with durable powder finish
- Soft White

Options:

- Adjustable baffle controllers to direct airflow horizontal or vertically (HVL-ADJ)
- Fits 1x1 ceiling grids (collar sizes 6"-10") (HVL-1x1)
- BD – Field installable Bowtie Damper (available on even sizes 6"-14")
- Square Collar
- TVB – Thermal Vapor Blanket
- NGD – Narrow ceiling grid dimples for 9/16" T-Rails, changes O.D. to 23 29/32"
- Premium 3" round collar with bead (HL-3in)

Finishes:

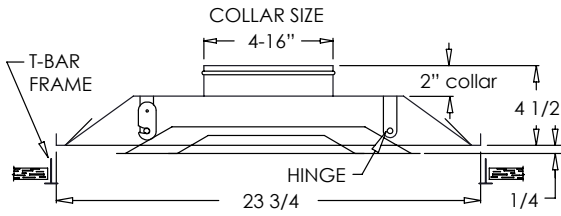
STANDARD COLORS

- Soft White
- Driftwood Tan

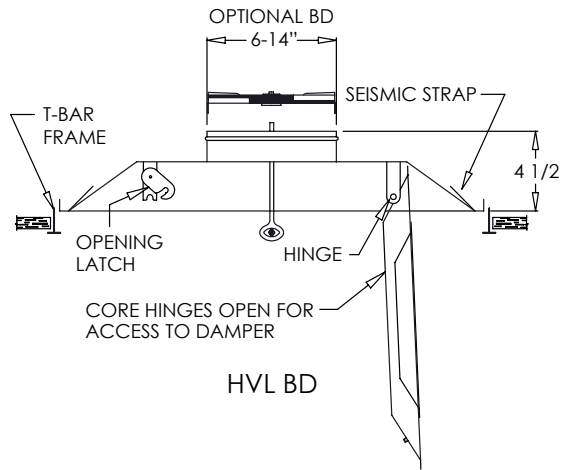
DESIGNER COLORS

- Black
- Bronze
- Storm Gray
- Cement Gray

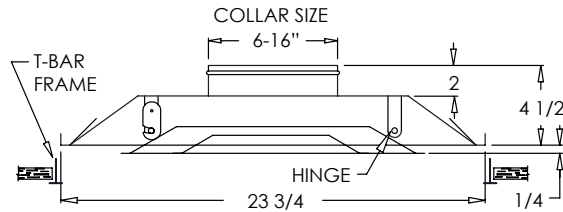
- Aluminum Paint
- Coffee Tan
- Warm White
- Glossy White



HVL



HVL BD



HVL-3in

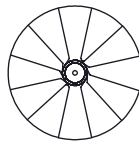
(shown with 3" tall premium round collar)

BD

Open



Closed



Additional Information:

Submittal Notes

Project / Location:	
Engineer:	
Architect:	
Contractor:	