

Standard Features:

- Extruded aluminum slot diffuser
- Surface mount frame style with 1 1/8" flange.
- Countersunk mounting holes for flush appearance and color matching Philips Pozidriv screws
- Flanged end caps
- Minimum length 6"
- Unlimited continuous sections available with butt joints
- Soft White

Manufacturing Requirements:

Length _____ feet _____ inches
 Supply – Black adjustable pattern controller allows full 180° adjustment and control of airflow (LSD-T4-S)
 Return – less pattern controller (LSD-T4-R)
 Number of slots: 1 2 3 4 5 6 7 8
 Slot Width: 1/2" 3/4" 1"

Options:

Flat end caps

Finishes:

STANDARD COLORS

- Soft White
- Driftwood Tan
- Mill Finish

DESIGNER COLORS

- Black
- Bronze
- Storm Gray
- Cement Gray

- Aluminum Paint
- Coffee Tan
- Warm White
- Glossy White

Dimensions (in inches)

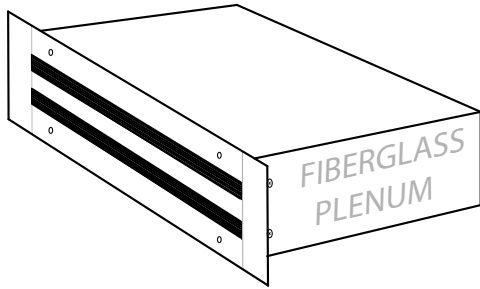
# OF SLOTS	SLOT WIDTH (F)	OVERALL WIDTH (H)	WIDTH OF BACK (I)	# OF SLOTS	SLOT WIDTH (F)	OVERALL WIDTH (H)	WIDTH OF BACK (I)
1	1/2	2 3/4	1 1/2	5	1/2	7 3/4	6 1/2
	3/4	3	1 3/4		3/4	9	7 3/4
	1	3 1/4	2		1	10 1/4	9
2	1/2	4	2 3/4	6	1/2	9	7 3/4
	3/4	4 1/2	3 1/4		3/4	10 1/2	9 1/4
	1	5	3 3/4		1	12	10 3/4
3	1/2	5 1/4	4	7	1/2	10 1/4	9
	3/4	6	4 3/4		3/4	12	10 3/4
	1	6 3/4	5 1/2		1	13 3/4	12 1/2
4	1/2	6 1/2	5 1/4	8	1/2	11 1/2	10 1/4
	3/4	7 1/2	6 1/4		3/4	13 1/2	12 1/4
	1	8 1/2	7 1/4		1	15 1/2	14 1/4

Note ID lengths 1/16" undersized nominal

Additional Information:

Submittal Notes

Project / Location:	
Engineer:	
Architect:	
Contractor:	



Standard Features:

- Extruded aluminum slot diffuser
- Surface mount frame style with 1 1/8" flange.
- Countersunk mounting holes for flush appearance and color matching Philips Pozidriv screws
- Flanged end caps
- Rigid fiberglass plenum, allows for multiple locations of field installed spin in collar (collar provided by others)
- Fiberglass plenum ships installed on diffuser
- Minimum length 12"
- Unlimited continuous sections available with butt joints
- Soft White

Manufacturing Requirements:

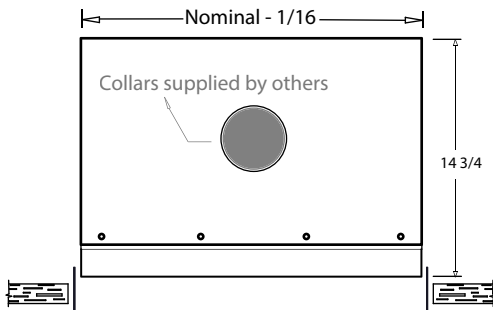
Length _____ feet _____ inches

Supply – Black adjustable pattern controller allows full 180° adjustment and control of airflow (LSD-T4-S)

Return – less pattern controller (LSD-T4-R)

Number of slots: 1 2 3 4 5 6 7 8

Slot Width: 1/2" 3/4" 1"



Options:

Flat end caps

Finishes:

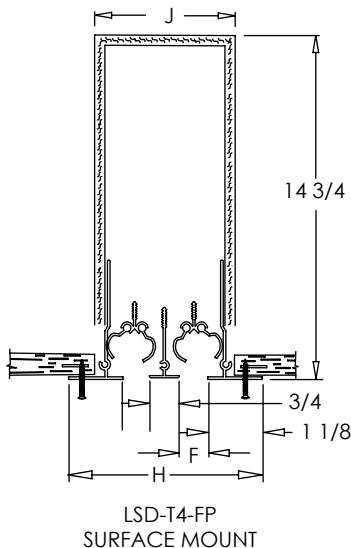
STANDARD COLORS

- Soft White
- Driftwood Tan
- Mill Finish

DESIGNER COLORS

- Black
- Bronze
- Storm Gray
- Cement Gray

- Aluminum Paint
- Coffee Tan
- Warm White
- Glossy White



Dimensions (in inches)

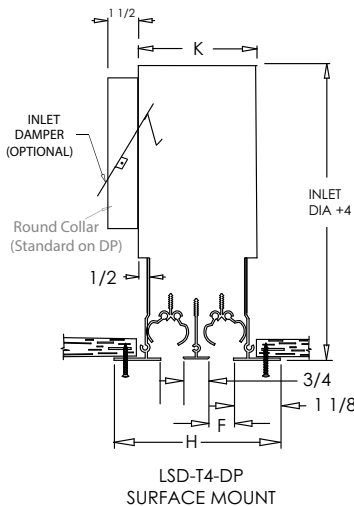
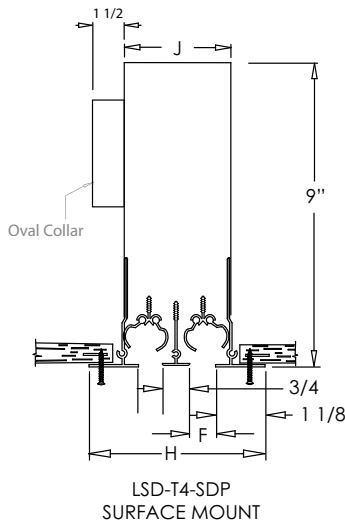
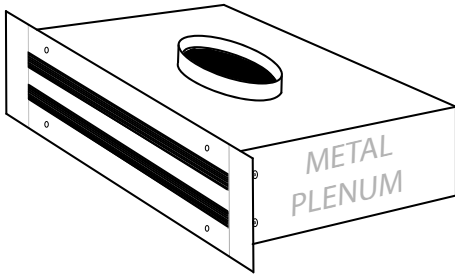
# OF SLOTS	SLOT WIDTH (F)	OVERALL WIDTH (H)	PLENUM WIDTH (J)	# OF SLOTS	SLOT WIDTH (F)	OVERALL WIDTH (H)	PLENUM WIDTH (J)
1	1/2	2 3/4	2	5	1/2	7 3/4	7
	3/4	3	2 1/4		3/4	9	8 1/4
	1	3 1/4	2 1/2		1	10 1/4	9 1/2
2	1/2	4	3 1/4	6	1/2	9	8 1/4
	3/4	4 1/2	3 3/4		3/4	10 1/2	9 3/4
	1	5	4 1/4		1	12	11 1/4
3	1/2	5 1/4	4 1/2	7	1/2	10 1/4	9 1/2
	3/4	6	5 1/4		3/4	12	11 1/4
	1	6 3/4	6		1	13 3/4	13
4	1/2	6 1/2	5 3/4	8	1/2	11 1/2	10 3/4
	3/4	7 1/2	6 3/4		3/4	13 1/2	12 3/4
	1	8 1/2	7 3/4		1	15 1/2	14 3/4

Note ID lengths 1/16" undersized nominal

Additional Information:

Submittal Notes

Project / Location:	
Engineer:	
Architect:	
Contractor:	



LINEAR SLOT DIFFUSER Standard Features:

- Extruded aluminum slot diffuser
- Surface mount frame style with 1 1/8" flange.
- Countersunk mounting holes for flush appearance and color matching Philips Pozidriv screws
- Flanged end caps
- Minimum length 12"
- Unlimited continuous sections available with butt joints
- Soft White

Manufacturing Requirements:

Length _____ feet _____ inches

Supply – Black adjustable pattern controller allows full 180° adjustment and control of airflow (LSD-T4-S)

Return – less pattern controller (LSD-T4-R)

Number of slots: 1 2 3 4 5 6 7 8

Slot Width: 1/2" 3/4" 1"

Options:

Flat end caps

Optional Finishes:

- Soft White
- Mill Finish
- Driftwood Tan
- Designer Color _____

METAL PLENUM Standard Features

- 24 gauge galvanized steel plenum
- Minimum length 12" and maximum single piece length is 6'
- Metal plenum ships separately from diffuser and requires field assembly

Manufacturing Requirements:

Short Distribution Plenum – SDP (standard, height set at 9")

Distribution Plenum – DP (height = inlet diameter + 4")

Internal insulation 1/2" fiberglass (std) – L 1/2" fiberglass w/foil back – LEX
 Closed cell – C

External insulation 1/2" fiberglass w/foil back (std) – EX 1" fiberglass – 1" – EX1
 No insulation – N

Oval inlet sizes: 5" 6" 7" 8" 10" 12" 14" 16" (SDP and DP)

Round inlet sizes: 5" 6" 7" 8" 10" 12" 14" 16" (DP only)

No inlet (SDP and DP)

Options:

Damper: Rod Twist Cord

*Optional performance baffles improve comfort in short throw applications by widening the spread of the discharge air

Perforated steel baffle* – Type A – #69 Solid steel baffle* – Type B – #70

Dimensions (in inches)

# OF SLOTS	SLOT WIDTH (F)	OVERALL WIDTH (H)	SDP WIDTH (J)	DP WIDTH (K)	# OF SLOTS	SLOT WIDTH (F)	OVERALL WIDTH (H)	SDP WIDTH (J)	DP WIDTH (K)
1	1/2	2 3/4	1 5/8	2 5/8	5	1/2	7 3/4	6 5/8	7 5/8
	3/4	3	1 7/8	2 7/8		3/4	9	7 7/8	8 7/8
	1	3 1/4	2 1/8	3 1/8		1	10 1/4	9 1/8	10 1/8
2	1/2	4	2 7/8	3 7/8	6	1/2	9	7 7/8	8 7/8
	3/4	4 1/2	3 3/8	4 3/8		3/4	10 1/2	9 3/8	10 3/8
	1	5	3 7/8	4 7/8		1	12	10 7/8	11 7/8
3	1/2	5 1/4	4 1/8	5 1/8	7	1/2	10 1/4	9 1/8	10 1/8
	3/4	6	4 7/8	5 7/8		3/4	12	10 7/8	11 7/8
	1	6 3/4	5 5/8	6 5/8		1	13 3/4	12 5/8	13 5/8
4	1/2	6 1/2	5 3/8	6 3/8	8	1/2	11 1/2	10 3/8	11 3/8
	3/4	7 1/2	6 3/8	7 3/8		3/4	13 1/2	12 3/8	13 3/8
	1	8 1/2	7 3/8	8 3/8		1	15 1/2	14 3/8	15 3/8

Note: Diffuser ID lengths 1/16" undersized nominal. Metal plenum manufactured to nominal dimensions. If duct opening is 48", plenum will be 48" and diffuser will be 47-15/16".

Additional Information:

Submittal Notes

Project / Location:	
Engineer:	
Architect:	
Contractor:	