

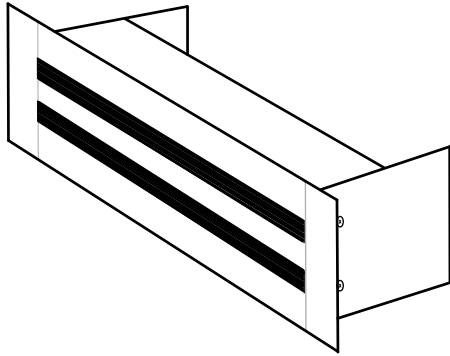


CSW Industrials Companies

Linear Slot Diffuser Submittal

Concealed Mount Frame – Diffuser Only (Type 5)

MODEL: LSD-T5-DO



Standard Features:

- Extruded aluminum slot diffuser
- Surface frame style with 1 1/8" flange. Concealed mount screw holes and end flanges for a clean aesthetic look
- Minimum length 6"
- Unlimited continuous sections available with butt joints
- Soft White

Manufacturing Requirements:

Length _____ feet _____ inches

Supply – Black adjustable pattern controller allows full 180° adjustment and control of airflow (LSD-T5-S)

Return – less pattern controller (LSD-T5-R)

Number of slots: 1 2 3 4 5 6 7 8

Slot Width: 1/2" 3/4" 1"

Options:

Flat end caps

Finishes:

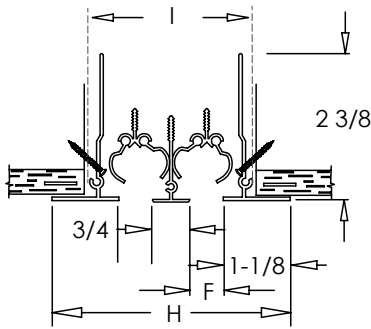
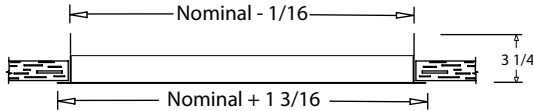
STANDARD COLORS

- Soft White
- Driftwood Tan

DESIGNER COLORS

- Black
- Bronze
- Storm Gray
- Cement Gray

- Aluminum Paint
- Coffee Tan
- Warm White
- Glossy White



LSD-T5
CONCEALED MOUNT

Dimensions (in inches)

| # OF SLOTS | SLOT WIDTH (F) | OVERALL WIDTH (H) | WIDTH OF BACK (I) | # OF SLOTS | SLOT WIDTH (F) | OVERALL WIDTH (H) | WIDTH OF BACK (I) |
|------------|----------------|-------------------|-------------------|------------|----------------|-------------------|-------------------|
| 1 | 1/2 | 2 3/4 | 1 1/2 | 5 | 1/2 | 7 3/4 | 6 1/2 |
| | 3/4 | 3 | 1 3/4 | | 3/4 | 9 | 7 3/4 |
| | 1 | 3 1/4 | 2 | | 1 | 10 1/4 | 9 |
| 2 | 1/2 | 4 | 2 3/4 | 6 | 1/2 | 9 | 7 3/4 |
| | 3/4 | 4 1/2 | 3 1/4 | | 3/4 | 10 1/2 | 9 1/4 |
| | 1 | 5 | 3 3/4 | | 1 | 12 | 10 3/4 |
| 3 | 1/2 | 5 1/4 | 4 | 7 | 1/2 | 10 1/4 | 9 |
| | 3/4 | 6 | 4 3/4 | | 3/4 | 12 | 10 3/4 |
| | 1 | 6 3/4 | 5 1/2 | | 1 | 13 3/4 | 12 1/2 |
| 4 | 1/2 | 6 1/2 | 5 1/4 | 8 | 1/2 | 11 1/2 | 10 1/4 |
| | 3/4 | 7 1/2 | 6 1/4 | | 3/4 | 13 1/2 | 12 1/4 |
| | 1 | 8 1/2 | 7 1/4 | | 1 | 15 1/2 | 14 1/4 |

Note ID lengths 1/16" undersized nominal

Additional Information:

Submittal Notes

| | |
|---------------------|--|
| Project / Location: | |
| Engineer: | |
| Architect: | |
| Contractor: | |

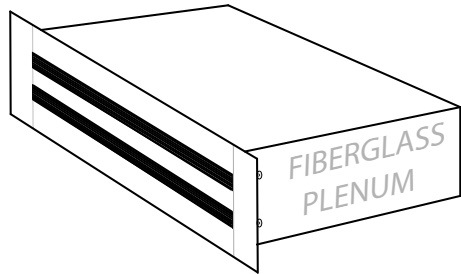


CSW Industrials Companies

Linear Slot Diffuser Submittal

Concealed Mount Frame with Fiberglass Plenum (Type 5)

MODEL: LSD-T5-FP



Standard Features:

- Extruded aluminum slot diffuser
- Surface frame style with 1 1/8" flange. Concealed mount screw holes and end flanges for a clean aesthetic look
- Rigid fiberglass plenum, allows for multiple locations of field installed spin in collar (collar provided by others)
- Fiberglass plenum ships installed on diffuser
- Minimum length 12"
- Unlimited continuous sections available with butt joints
- Soft White

Manufacturing Requirements:

Length _____ feet _____ inches

Supply – Black adjustable pattern controller allows full 180° adjustment and control of airflow (LSD-T5-S)

Return – less pattern controller (LSD-T5-R)

Number of slots: 1 2 3 4 5 6 7 8

Slot Width: 1/2" 3/4" 1"

Options:

Flat end caps

Finishes:

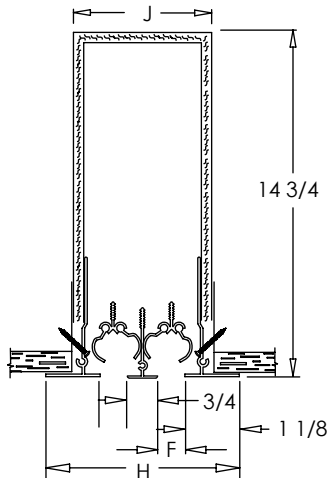
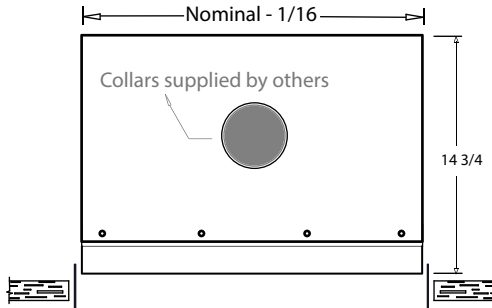
STANDARD COLORS

- Soft White
- Driftwood Tan

DESIGNER COLORS

- Black
- Bronze
- Storm Gray
- Cement Gray

- Aluminum Paint
- Coffee Tan
- Warm White
- Glossy White



LSD-T5-FP
CONCEALED MOUNT

Dimensions (in inches)

| # OF SLOTS | SLOT WIDTH (F) | OVERALL WIDTH (H) | PLENUM WIDTH (J) | # OF SLOTS | SLOT WIDTH (F) | OVERALL WIDTH (H) | PLENUM WIDTH (J) |
|------------|----------------|-------------------|------------------|------------|----------------|-------------------|------------------|
| 1 | 1/2 | 2 3/4 | 2 | 5 | 1/2 | 7 3/4 | 7 |
| | 3/4 | 3 | 2 1/4 | | 3/4 | 9 | 8 1/4 |
| | 1 | 3 1/4 | 2 1/2 | | 1 | 10 1/4 | 9 1/2 |
| 2 | 1/2 | 4 | 3 1/4 | 6 | 1/2 | 9 | 8 1/4 |
| | 3/4 | 4 1/2 | 3 3/4 | | 3/4 | 10 1/2 | 9 3/4 |
| | 1 | 5 | 4 1/4 | | 1 | 12 | 11 1/4 |
| 3 | 1/2 | 5 1/4 | 4 1/2 | 7 | 1/2 | 10 1/4 | 9 1/2 |
| | 3/4 | 6 | 5 1/4 | | 3/4 | 12 | 11 1/4 |
| | 1 | 6 3/4 | 6 | | 1 | 13 3/4 | 13 |
| 4 | 1/2 | 6 1/2 | 5 3/4 | 8 | 1/2 | 11 1/2 | 10 3/4 |
| | 3/4 | 7 1/2 | 6 3/4 | | 3/4 | 13 1/2 | 12 3/4 |
| | 1 | 8 1/2 | 7 3/4 | | 1 | 15 1/2 | 14 3/4 |

Note ID lengths 1/16" undersized nominal

Additional Information:

Submittal Notes

| | |
|---------------------|--|
| Project / Location: | |
| Engineer: | |
| Architect: | |
| Contractor: | |

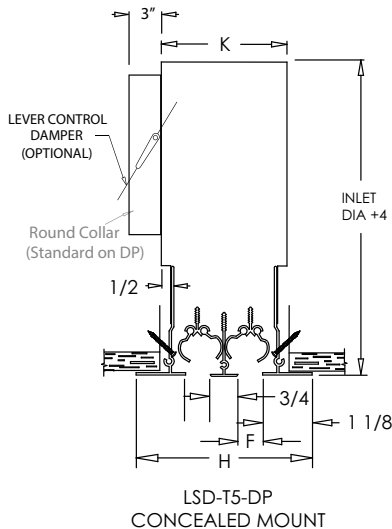
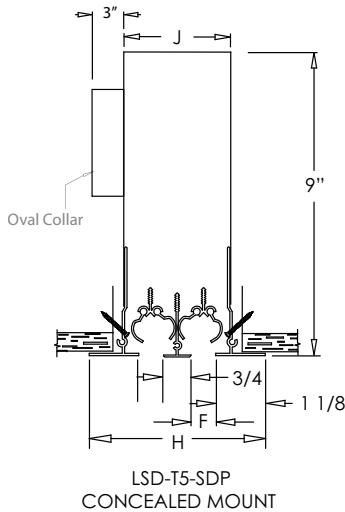
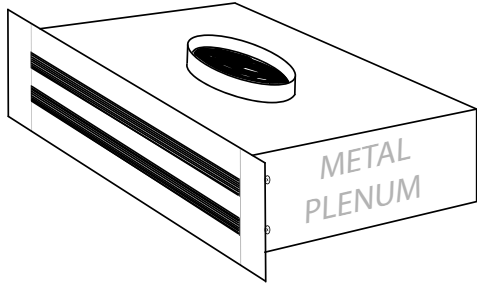


CSW Industrials Companies

Linear Slot Diffuser Submittal

Concealed Mount Frame with Metal Plenum (Type 5)

MODEL: LSD-T5-SDP, LSD-T5-DP



LINEAR SLOT DIFFUSER Standard Features:

- Extruded aluminum slot diffuser
- Surface frame style with 1 1/8" flange: Concealed mount screw holes and end flanges for a clean aesthetic look.
- Minimum length 12"
- Unlimited continuous sections available with butt joints
- Soft White

Manufacturing Requirements:

Length _____ feet inches

Supply – Black adjustable pattern controller allows full 180° adjustment and control of airflow (LSD-T5-S)

Return – less pattern controller (LSD-T5-R)

Number of slots: 1 2 3 4 5 6 7 8

Slot Width: 1/2" 3/4" 1"

Options:

Flat end caps

Optional Finishes:

Soft White

Designer Color _____

Driftwood Tan

METAL PLENUM Standard Features

- 24 gauge galvanized steel plenum
- Minimum length 1' and maximum single piece length is 6'
- Metal plenum requires field assembly to connect to the diffuser

Manufacturing Requirements:

Short Distribution Plenum – SDP (standard, height set at 9")

Distribution Plenum – DP (height = inlet diameter + 4")

1/2" fiberglass internal insulation

No insulation

Oval inlet sizes: 5" 6" 7" 8" 10" 12" 14" 16"

Round inlet sizes (SDP): 5" 6"

Round inlet sizes (DP): 5" 6" 7" 8" 10" 12" 14" 16"

No inlet (DP with no inlet will have a standard height of 14")

Options:

Twist controlled damper

Dimensions (in inches)

| # OF SLOTS | SLOT WIDTH (F) | OVERALL WIDTH (H) | SDP WIDTH (J) | DP WIDTH (K) | # OF SLOTS | SLOT WIDTH (F) | OVERALL WIDTH (H) | SDP WIDTH (J) | DP WIDTH (K) |
|------------|----------------|-------------------|---------------|--------------|------------|----------------|-------------------|---------------|--------------|
| 1 | 1/2 | 2 3/4 | 1 5/8 | 2 5/8 | 5 | 1/2 | 7 3/4 | 6 5/8 | 7 5/8 |
| | 3/4 | 3 | 1 7/8 | 2 7/8 | | 3/4 | 9 | 7 7/8 | 8 7/8 |
| | 1 | 3 1/4 | 2 1/8 | 3 1/8 | | 1 | 10 1/4 | 9 1/8 | 10 1/8 |
| 2 | 1/2 | 4 | 2 7/8 | 3 7/8 | 6 | 1/2 | 9 | 7 7/8 | 8 7/8 |
| | 3/4 | 4 1/2 | 3 3/8 | 4 3/8 | | 3/4 | 10 1/2 | 9 3/8 | 10 3/8 |
| | 1 | 5 | 3 7/8 | 4 7/8 | | 1 | 12 | 10 7/8 | 11 7/8 |
| 3 | 1/2 | 5 1/4 | 4 1/8 | 5 1/8 | 7 | 1/2 | 10 1/4 | 9 1/8 | 10 1/8 |
| | 3/4 | 6 | 4 7/8 | 5 7/8 | | 3/4 | 12 | 10 7/8 | 11 7/8 |
| | 1 | 6 3/4 | 5 5/8 | 6 5/8 | | 1 | 13 3/4 | 12 5/8 | 13 5/8 |
| 4 | 1/2 | 6 1/2 | 5 3/8 | 6 3/8 | 8 | 1/2 | 11 1/2 | 10 3/8 | 11 3/8 |
| | 3/4 | 7 1/2 | 6 3/8 | 7 3/8 | | 3/4 | 13 1/2 | 12 3/8 | 13 3/8 |
| | 1 | 8 1/2 | 7 3/8 | 8 3/8 | | 1 | 15 1/2 | 14 3/8 | 15 3/8 |

Note: Diffuser ID lengths 1/16" undersized nominal. Metal plenum manufactured to nominal dimensions. If duct opening is 48", plenum will be 48" and diffuser will be 47-15/16".

Additional Information:

Submittal Notes

Project / Location:

Engineer:

Architect:

Contractor: