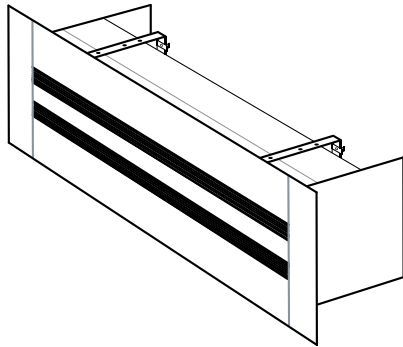


Linear Slot Diffuser Submittal

Duct Bracket Mount – Diffuser Only (Type 6)

MODEL: LSD-T6-DO



Standard Features:

- Extruded aluminum slot diffuser
- Duct Bracket frame style with 1- 1/8" flange and flanged end caps.
- Multiple fastening locations for each diffuser
- Minimum length 6"
- Unlimited continuous sections available with butt joints
- Soft White

Manufacturing Requirements:

Length _____ feet inches

Supply – Black adjustable pattern controller allows full 180° adjustment and control of airflow (LSD-T6-S)

Return – less pattern controller (LSD-T6-R)

Number of slots: 1 2 3 4 5 6 7 8

Slot Width: 1/2" 3/4" 1"

Options:

Flat end caps

Finishes:

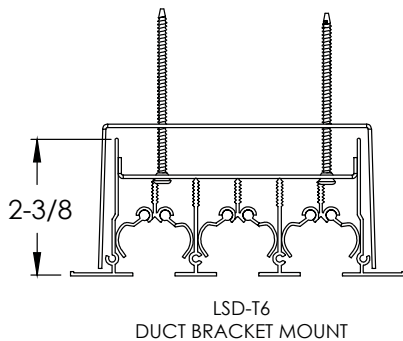
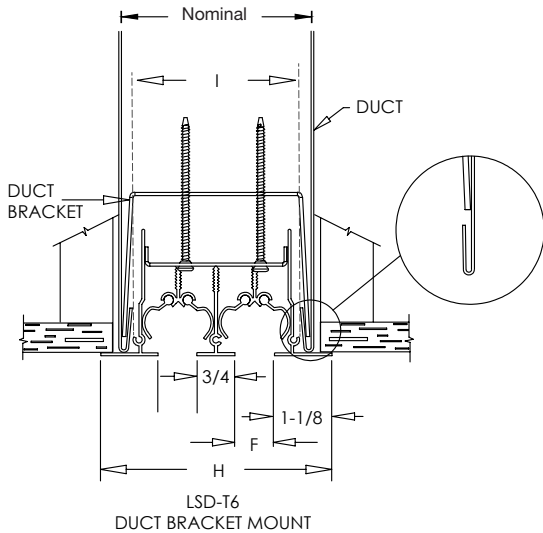
STANDARD COLORS

- Soft White
- Driftwood Tan
- Mill Finish

DESIGNER COLORS

- Black
- Bronze
- Storm Gray
- Cement Gray

- Aluminum Paint
- Coffee Tan
- Warm White
- Glossy White



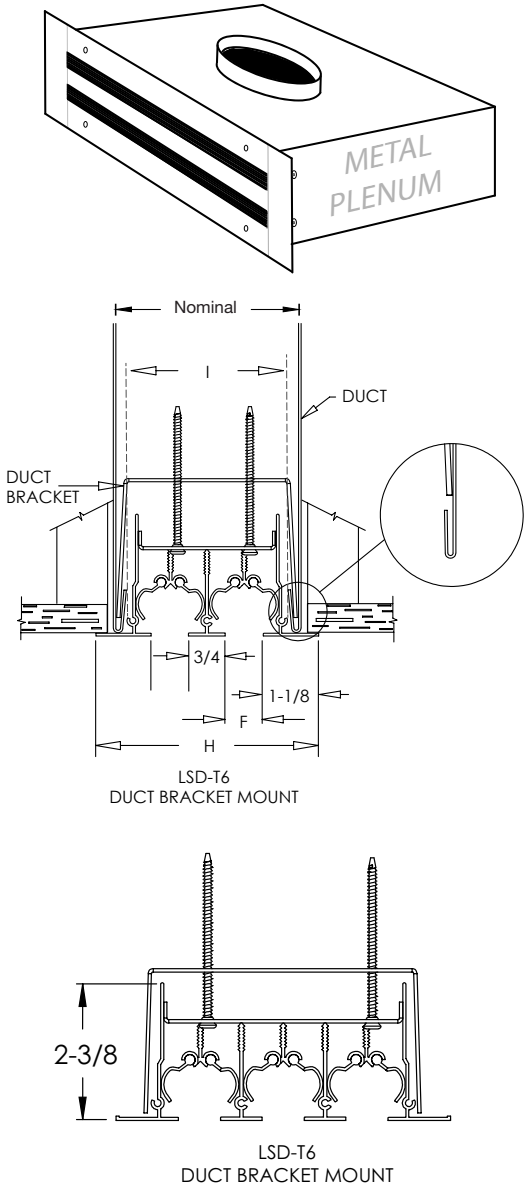
Dimensions (in inches)							
# OF SLOTS	SLOT WIDTH (F)	OVERALL WIDTH (H)	WIDTH OF BACK (I)	# OF SLOTS	SLOT WIDTH (F)	OVERALL WIDTH (H)	WIDTH OF BACK (I)
1	1/2	2 3/4	1 1/2	5	1/2	7 3/4	6 1/2
	3/4	3	1 3/4		3/4	9	7 3/4
	1	3 1/4	2		1	10 1/4	9
2	1/2	4	2 3/4	6	1/2	9	7 3/4
	3/4	4 1/2	3 1/4		3/4	10 1/2	9 1/4
	1	5	3 3/4		1	12	10 3/4
3	1/2	5 1/4	4	7	1/2	10 1/4	9
	3/4	6	4 3/4		3/4	12	10 3/4
	1	6 3/4	5 1/2		1	13 3/4	12 1/2
4	1/2	6 1/2	5 1/4	8	1/2	11 1/2	10 1/4
	3/4	7 1/2	6 1/4		3/4	13 1/2	12 1/4
	1	8 1/2	7 1/4		1	15 1/2	14 1/4

Note ID lengths 1/16" undersized nominal

Additional Information:

Submittal Notes

Project / Location:	
Engineer:	
Architect:	
Contractor:	



Standard Features:

- Extruded aluminum slot diffuser
- Duct Bracket frame style with 1- 1/8" flange and flanged end caps.
- Multiple fastening locations for each diffuser
- Minimum length 12"
- Unlimited continuous sections available with butt joints
- Soft White

Manufacturing Requirements:

Length _____ feet inches
 Supply – Black adjustable pattern controller allows full 180° adjustment and control of airflow (LSD-T6-S)
 Return – less pattern controller (LSD-T6-R)
 Number of slots: 1 2 3 4 5 6 7 8
 Slot Width: 1/2" 3/4" 1"

Options:

Flat end caps

Optional Finishes:

- Soft White
- Mill Finish
- Driftwood Tan
- Designer Color _____

METAL PLENUM Standard Features

- 24 gauge galvanized steel plenum, with hemmed rails
- Minimum length 12" and maximum single piece length is 6'
- Metal plenum ships separately from diffuser and requires field assembly

Manufacturing Requirements:

Short Distribution Plenum – SDP (standard, height set at 9")
 Distribution Plenum – DP (height = inlet diameter + 4")
 Internal insulation 1/2" fiberglass (std) – L 1/2" fiberglass w/foil back – LEX
 Closed cell – C
 External insulation 1/2" fiberglass w/foil back (std) – EX 1" fiberglass – 1" – EX1
 No insulation – N
 Oval inlet sizes: 5" 6" 7" 8" 10" 12" 14" 16" (SDP and DP)
 Round inlet sizes: 5" 6" 7" 8" 10" 12" 14" 16" (DP only)
 No inlet (SDP and DP)

Options:

Damper: Rod Twist Cord
 Perforated steel baffle* – Type A – #69 Solid steel baffle* – Type B – #70

*Optional performance baffles improve comfort in short throw applications by widening the spread of the discharge air

Install Notes

Metal Plenum must be installed before the diffuser is installed. The Type 6 Duct Mount is an effective and quick mounting mechanism. Attach the duct bracket to the LSD-T6 only tapping the fastening screws enough to hold the LSD-T6 and bracket together. Once the brackets have been attached to the LSD-T6 and the unit is set into place, the duct brackets will snap into position. The rolled edges of the duct support the duct bracket, holding it in place, while the fastening screws are threaded in the remainder of the way to pull the LSD-T6 tight to the finished surface. Duct brackets and mounting screws will ship with the LSD-T6.

Additional Information:

Submittal Notes

Project / Location:	
Engineer:	
Architect:	
Contractor:	

Dimensions (in inches)									
# OF SLOTS	SLOT WIDTH (F)	OVERALL WIDTH (H)	SDP WIDTH (J)	DP WIDTH (K)	# OF SLOTS	SLOT WIDTH (F)	OVERALL WIDTH (H)	SDP WIDTH (J)	DP WIDTH (K)
1	1/2	2 3/4	1 5/8	2 5/8	5	1/2	7 3/4	6 5/8	7 5/8
	3/4	3	1 7/8	2 7/8		3/4	9	7 7/8	8 7/8
	1	3 1/4	2 1/8	3 1/8		1	10 1/4	9 1/8	10 1/8
2	1/2	4	2 7/8	3 7/8	6	1/2	9	7 7/8	8 7/8
	3/4	4 1/2	3 3/8	4 3/8		3/4	10 1/2	9 3/8	10 3/8
	1	5	3 7/8	4 7/8		1	12	10 7/8	11 7/8
3	1/2	5 1/4	4 1/8	5 1/8	7	1/2	10 1/4	9 1/8	10 1/8
	3/4	6	4 7/8	5 7/8		3/4	12	10 7/8	11 7/8
	1	6 3/4	5 5/8	6 5/8		1	13 3/4	12 5/8	13 5/8
4	1/2	6 1/2	5 3/8	6 3/8	8	1/2	11 1/2	10 3/8	11 3/8
	3/4	7 1/2	6 3/8	7 3/8		3/4	13 1/2	12 3/8	13 3/8
	1	8 1/2	7 3/8	8 3/8		1	15 1/2	14 3/8	15 3/8

Note: Diffuser ID lengths 1/16" undersized nominal. Metal plenum manufactured to nominal dimensions. If duct opening is 48", plenum will be 48" and diffuser will be 47-15/16".