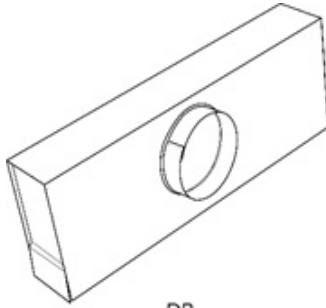


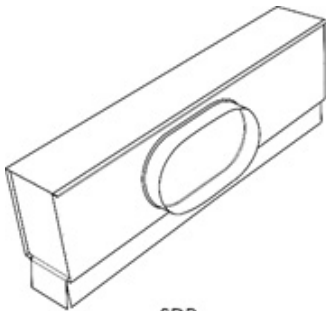
Linear Air Bar Diffuser Submittal

Metal Plenum for LSD, LAB & LJP Products

MODEL: SDP, DP



DP
DISTRIBUTION PLENUM



SDP
SHORT DISTRIBUTION PLENUM

METAL PLENUM Standard Features:

- 24 gauge galvanized steel plenum
- Minimum length 2' and maximum single piece length is 6'
- Metal plenum ships separately from diffuser and requires field assembly
- Oval collar sizes from 5" to 16"
- Dampers and/or baffles available
- Mill Finish

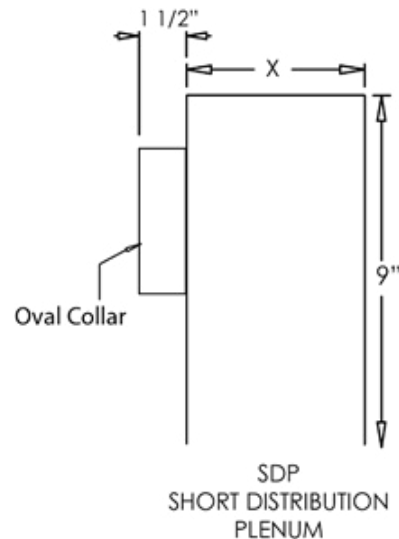
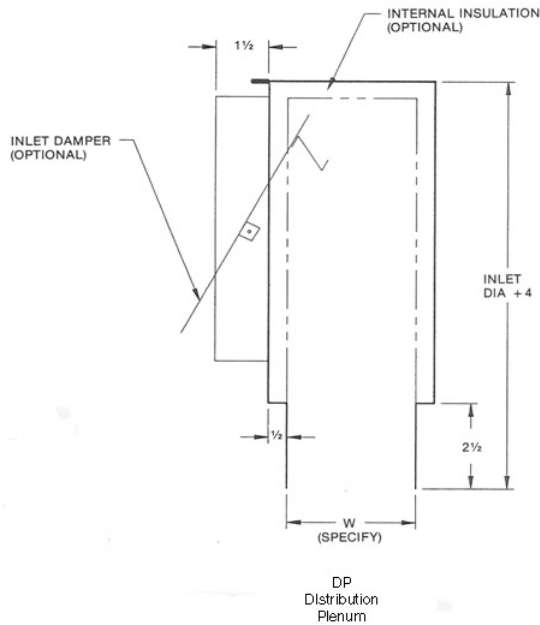
Manufacturing Requirements:

Short Distribution Plenum – SDP (standard, height set at 9")
 Distribution Plenum – DP (height = inlet diameter + 4")
 Internal insulation: 1/2" fiberglass (std) – L 1/2" fiberglass w/foil back– LEX
 Closed cell – C
 External insulation: 1/2" fiberglass w/foil back (std) – EX
 1" fiberglass – 1" – EX1
 No insulation – N
 Oval inlet sizes: 5" 6" 7" 8" 10" 12" 14" 16" (SDP and DP)
 Round inlet sizes: 5" 6" 7" 8" 10" 12" 14" 16" (DP only)
 No inlet (DP only)

Options:

- Rod controlled damper
- Twist controlled damper
- Cord controlled damper
- Perforated steel baffle* – Type A - #69
- Solid steel baffle* – Type B - #70

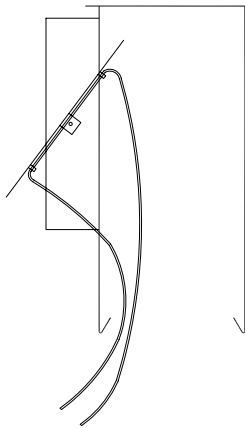
*Optional performance baffles improve comfort in short throw applications by widening the spread of the discharge air



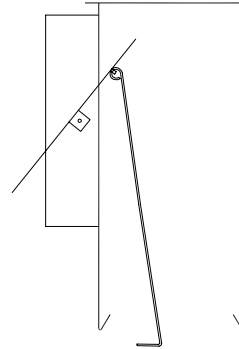
Additional Information:

Submittal Notes

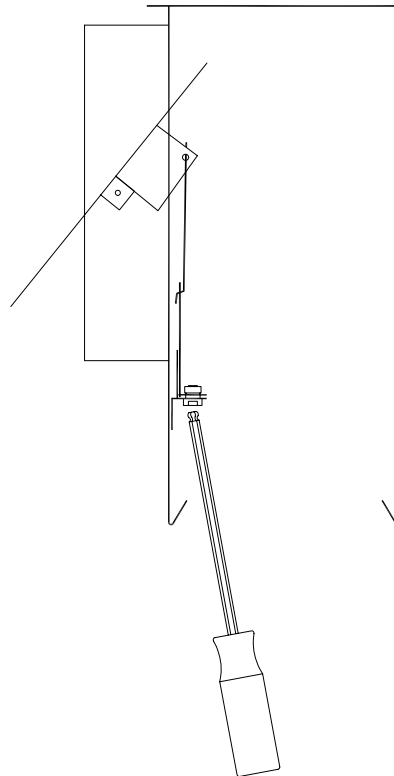
Project / Location:	
Engineer:	
Architect:	
Contractor:	



Cord Control Damper



Rod Control Damper



Twist Control Damper

Additional Information:

Submittal Notes

Project / Location:	
Engineer:	
Architect:	
Contractor:	