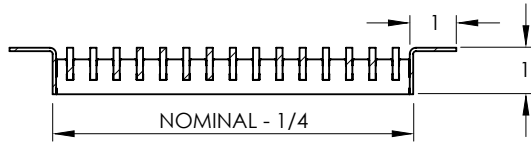
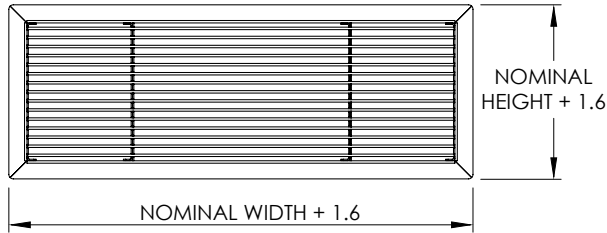


Commercial Submittal

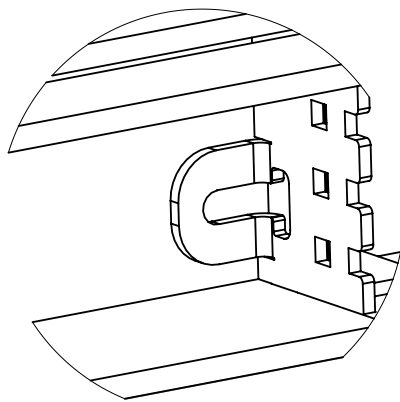
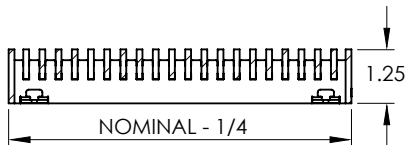
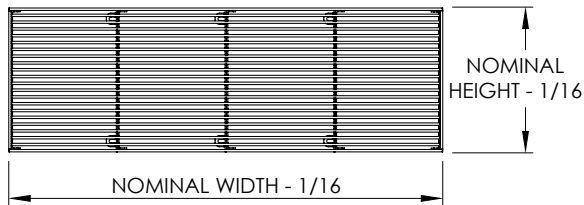
Stainless Steel Linear Bar Grille

MODEL: Linear-SS

FLANGE FRAME



STRAIGHT FRAME



CONCEALED MOUNTING TAB DETAIL
 (BARS REMOVED FOR CLARITY)

Standard Features:

- Type 304 stainless steel
- Designed for several applications
- 3/8" or 1/2" spacing with 0° or 15° deflection
- 1/8" or 1/4" thick core blades run parallel to longest dimension
- Standard flange frame width 1"
- Satin polished finish

Options:

- Type 316 stainless steel
- Opposed Blade Damper
- Floor Grille (6" back supports)
- Wall Grille (12" back supports)

Frame Type:

Flange Frame

Countersunk mounting holes for flush appearance with stainless sheet metal screws (standard)

Lay-in (no mounting holes)

Straight Frame

Concealed Mounting Tabs (standard)

Lay-in (no mounting holes)

Blade Options:

- 1/8" bars on 3/8" centers
- 1/8" bars on 1/2" centers
- 1/4" bars on 1/2" centers

Blade Deflection:

- 0°
- 15°

Additional Information:

Submittal Notes

Project / Location:

Engineer:

Architect:

Contractor: