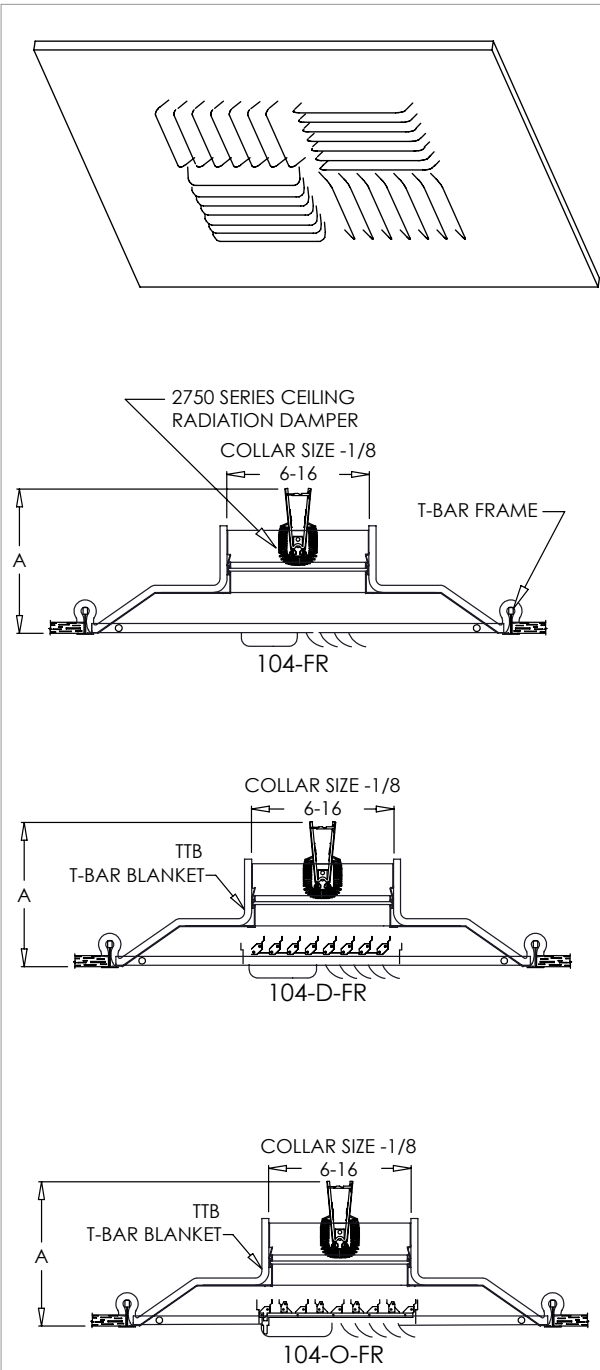


Fire Rated Submittal

U.L. Fire Resistance Classified Stamped Curved Blade T-Bar

MODEL: 104-FR Series



Standard Features:

- T-Bar FR assembly includes 2750 Series Ceiling Radiation Damper and TTB Series Thermal Blanket
- UL listed fire resistance T-Bar
- 3 hour rated fire resistance rating
- Building materials rated 3 hours or less
- 2X2 panel
- Stamped curve blade T-Bar diffuser with four way air pattern
- 2" ADC compliant round collar with bead for ease of installation
- Standard collar diameter is 2" smaller than face (12x12-10)
- Diffuser available in sizes 6"x6" through 16"x16"
- Collar sizes available in 6", 7", 8", 9", 10", 12", 14", & 16"
- Rust resistant pre-coat with durable powder finish
- Soft White

Options:

- Lever operated Multi-Shutter Damper (104-D-FR)
- Lever operated Opposed Blade Damper (104-O-FR)

Finishes:

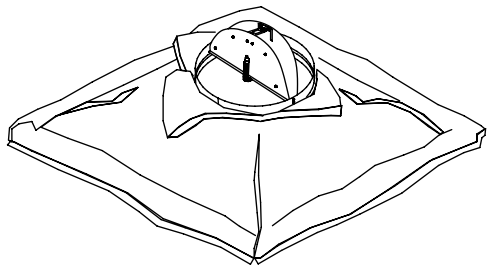
STANDARD COLORS

- Soft White
- Driftwood Tan

DESIGNER COLORS

- Black
- Bronze
- Storm Gray
- Cement Gray
- Aluminum Paint
- Coffee Tan
- Warm White
- Glossy White

Maximum Product Height	
DAMPER SIZE	HEIGHT (A)
6"	7 1/2"
7"	8"
8"	8 1/2"
9"	9"
10"	9 1/2"
12"	10 1/2"
14"	11 1/2"
16"	12 1/2"



Additional Information:

Project / Location:
 Engineer:
 Architect:
 Contractor:

Submittal Notes