

Standard Features:

- 4-way flush step down steel diffuser
- Low profile design for tight mechanical areas
- Delivers supply air in a 360° pattern
- 2" ADC compliant round collar with bead for ease of installation
- Available in 6" – 12" collar sizes
- Center hole in face for damper adjustment
- Rust resistant pre-coat with durable powder finish
- Soft White

Options:

- BD – Field installable Bowtie Damper
- TVB – Thermal Vapor Blanket
- NGD – Narrow ceiling grid dimples for 9/16" T-Rails, changes O.D. to 23 29/32"
- Premium 3" round collar with bead (116T-3in)
- OBR - Opposed Blade Radial Damper (Duct Mount Only)

Finishes:

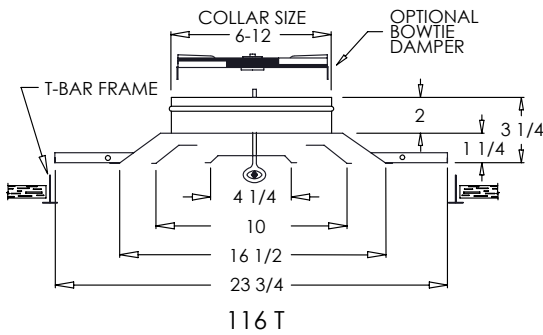
STANDARD COLORS

- Soft White
- Driftwood Tan

DESIGNER COLORS

- Black
- Bronze
- Storm Gray
- Cement Gray

- Aluminum Paint
- Coffee Tan
- Warm White
- Glossy White

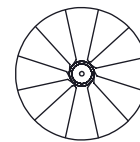


BD

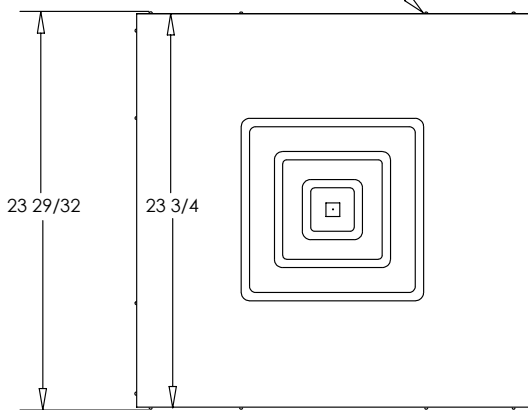
Open



Closed



Optional
Narrow Ceiling
Grid Dimples



Additional Information:

Submittal Notes

Project / Location:	
Engineer:	
Architect:	
Contractor:	