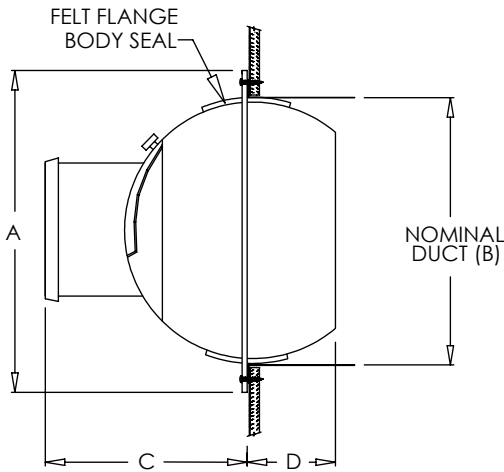
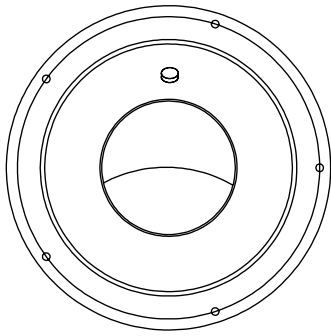


1202



1202

**Standard Features:**

- Solid aluminum rotatable body
- Excellent for spot heating and cooling, can move conditioned air from an inaccessible place into the work environment
- Precision adjustable aluminum air flow exit plate
- Double felt flange body seal to prevent air leakage
- Closed cell neoprene or felt mounting gasket, depending on unit size
- Easy adjustment of air flow by turn of a knob
- Maximum rotation angle up to 33° to 42° in all directions
- Clear Anodized

**Options:**

- Exposed duct mount with round duct adapter (1202R)
- Panel mount with up to 4 diffuser per panel (1205)
- MRI Compatible

**Finishes:**

STANDARD COLORS

- Anodized

**1202 Series Dimensions Listed in Inches**

SIZE	A	B	C	D
4"	5 1/2"	4 11/32"	2 9/16"	15/16"
6"	7 15/32"	6 5/16"	3 11/16"	1 1/2"
8"	9 27/32"	8 3/16"	4 23/32"	1 23/32"
10"	12 3/4"	11 1/32"	6 27/32"	1 31/32"
12"	14 9/32"	12 17/32"	7 7/8"	2 15/32"
16"	18 1/2"	16 23/32"	9 3/4"	3 5/8"
18"	21 1/16"	19 1/8"	11 5/8"	3 3/4"
20"	21 1/16"	19 1/8"	11 5/8"	3 3/4"

**Additional Information:**

**Submittal Notes**

Project / Location:	
Engineer:	
Architect:	
Contractor:	