

**Standard Features:**

- Designed for return application
- 10 gauge steel construction
- 1" flanged face plate stitch welded to sleeve
- #2 mesh woven wire screen: 10 gauge .135" dia. steel wire on 1/2" centers
- Support bars 3/4" dia. A-36 mild steel on 6" centers vertically and 12" centers horizontally
- Standard 12" sleeve
- White

**Options:**

- All aluminum construction (1404-A)
- All stainless steel mill finish (1404-SS)
- Countersunk mounting holes with color matching Tamper Proof Screws

**Face Plate Material:**

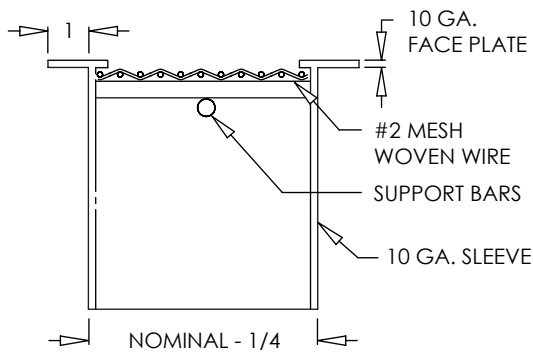
- 12 ga. steel      3/16" steel

**Sleeve Material:**

- 12 ga. steel      3/16" steel

**Sleeve Length:**

Other (minimum sleeve length 4"): \_\_\_\_\_



**Product Notes:**

\*Sleeve lengths are typically sized at least 2" longer than wall thickness.  
 Additional Security Grille options available.

**Additional Information:**

Submittal Notes

Project / Location:	
Engineer:	
Architect:	
Contractor:	