

Standard Features:

- Fixed bars with 30° deflection
- Heavy duty steel honeycomb construction
- Flush core and frame provides smooth surface
- Bars run parallel to longest dimension
- Available in even sizes only
- Rust resistant pre-coat with durable powder finish
- Driftwood Tan or Soft White

Options:

- Heavy Duty: Reinforced welded core and extra bar support for gymnasium or high traffic application (1630-R)
- Recessed screwdriver-operated opposed blade damper (1630-0)
- Reinforced welded core and opposed blade damper (1630R-0)
- Bars parallel to shortest dimension

Finishes:

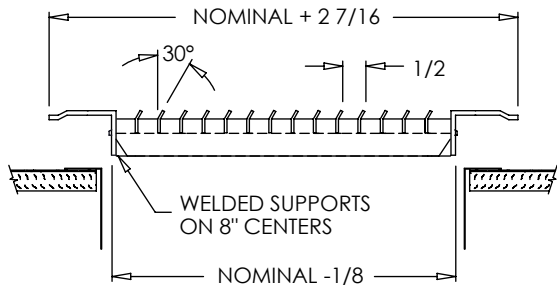
STANDARD COLORS

- Soft White
- Driftwood Tan

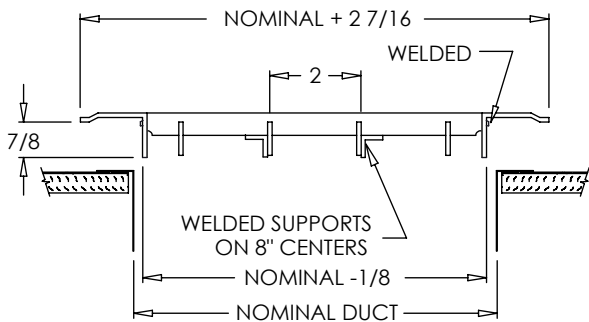
DESIGNER COLORS

- Black
- Bronze
- Storm Gray
- Cement Gray

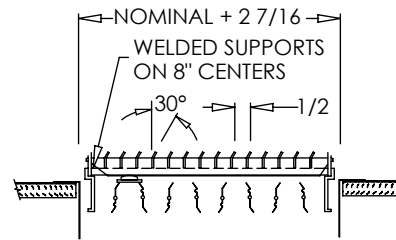
- Aluminum Paint
- Coffee Tan
- Warm White
- Glossy White



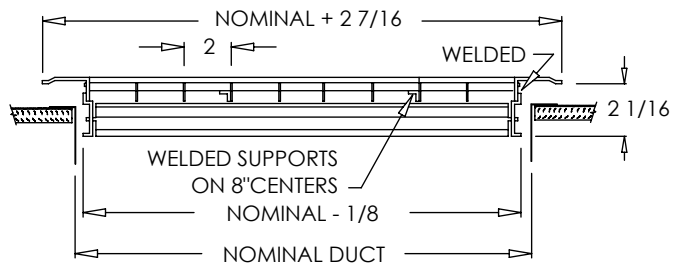
1630



1630



1630-0



1630-0

Additional Information:

Submittal Notes

Project / Location:	
Engineer:	
Architect:	
Contractor:	