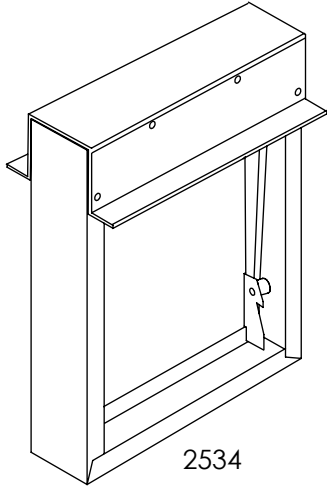


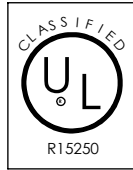
# Fire Rated Submittal

Thin-line Frame 1 1/2 Hour Curtain-Type Fire Damper Out-of-Air-Stream

MODEL: 2534, 2533 Series

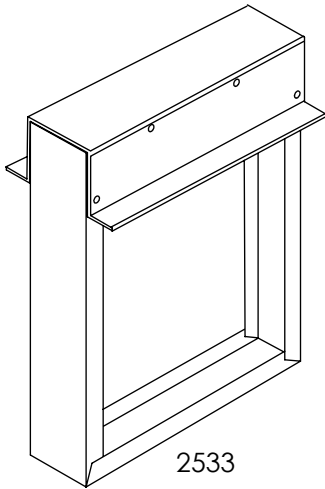


2534



### Standard Features:

- Square or rectangular spring actuated curtain-type fire damper for vertical or horizontal mount
- 2" thin-line roll formed frame with out-of-airstream blades
- Designed for use in wall, floors, and partitions with fire resistance ratings of 1 1/2 hours or less (for ceiling application, see 2700 Series)
- UL listed and tested in accordance with UL Standard 555
- 1 1/2 hour fire resistance rating
- Building materials rated 2 hours or less
- CSFM California State Fire Marshal listed
- Interlocking steel roll-formed blade
- Blade lock
- Damper manufactured from corrosion tested galvanized mild steel (G-90)
- 165° replaceable fusible link (#50)
- Maximum one piece size 41" W, 29" H (2534)



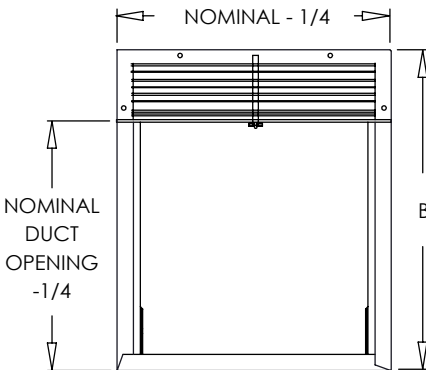
2533

### Options:

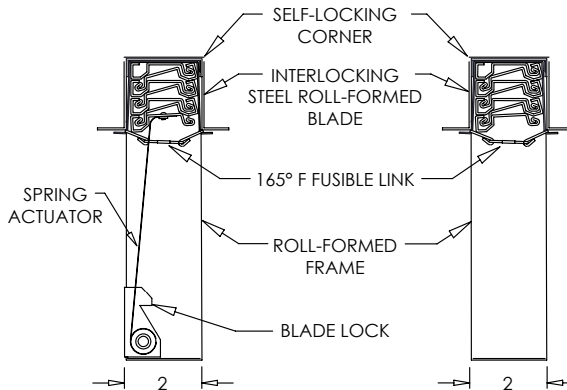
- Vertical mount only, maximum one piece size 48" W, 41" H (2533)
- Stainless steel
- Sleeves
- Fractional, exact O.D. dimensions
- 212° fusible link (#52)
- ETL link (#56)

### Finishes:

- STANDARD COLORS
- Galvanized



2533 & 2534



2534

2533

### 2533 & 2534 Frame Height

Duct Size	Height (B)
4"-7"	+1 3/4"
8"-12"	+2 3/4"
13"-17"	+3 3/4"
18"-24"	+4 3/4"
25"-28"	+5 3/4"
29"-34"	+6 3/4"
35"-41"	+7 3/4"

**Note:** Duct sizes 30"-41" available in 2533 only

**Example:** Height (B) for 20" duct would be 24 3/4".

### Additional Information:

### Submittal Notes

Project / Location:	
Engineer:	
Architect:	
Contractor:	