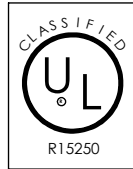
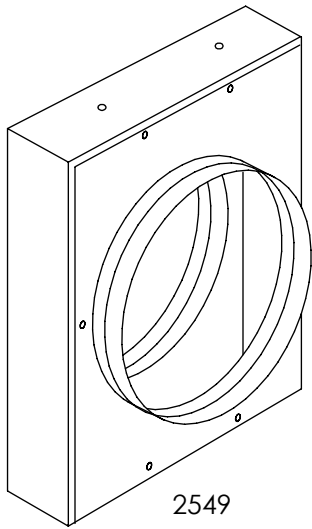


# Fire Rated Submittal

Round Thin-line Out-of-Airstream 1 1/2 Hour Rated Fire Damper  
 MODEL: 2550, 2549 Series



### Standard Features:

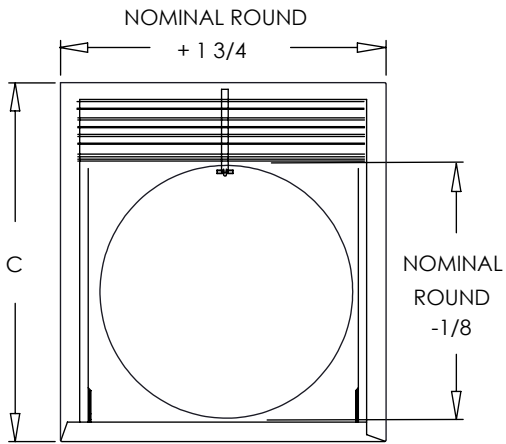
- Spring actuated curtain-type fire damper with 2 1/4" round connection for horizontal or vertical mount
- 2" thin-line roll formed frame with out-of-airstream blades
- Designed for use in wall, floors, and partitions with fire resistance ratings of 2 hours or less (for ceiling application, see 2700 Series)
- UL listed and tested in accordance with UL Standard 555
- 1 1/2 hour fire resistance rating
- Building materials rated 2 hours or less
- CSFM California State Fire Marshal listed
- Interlocking steel roll-formed blade
- Blade lock to secure blades once product is activated
- Damper manufactured from corrosion tested galvanized mild steel (G-90)
- 165° replaceable fusible link (#50)
- Available in 4" through 29" round (2550)

### Options:

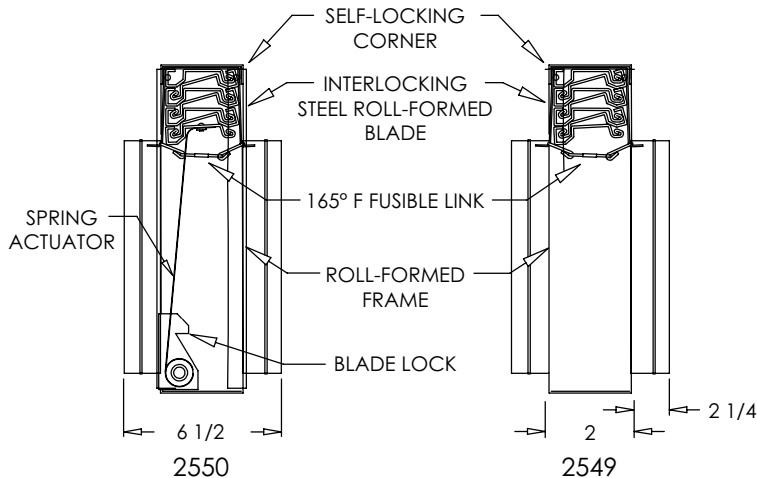
- Vertical mount only, available 4" through 40" round (2549)
- Stainless steel
- Sleeves
- 212° fusible link (#52)
- ETL link (#56)

### Finishes:

- STANDARD COLORS
- Galvanized



2549 & 2550



2549 & 2550 Dimensions	
Duct Size	Height (C)
4"-7"	+2 3/4"
8"-12"	+3 3/4"
13"-17"	+4 3/4"
18"-24"	+5 3/4"
25"-28"	+6 3/4"
29"-34"	+7 3/4"
35"-40"	+8 3/4"

**Note:** Duct sizes 30"-40" available in 2549 only

**Example:** Height (C) for 20" duct would be 25 3/4".

### Additional Information:

### Submittal Notes

Project / Location:	
Engineer:	
Architect:	
Contractor:	