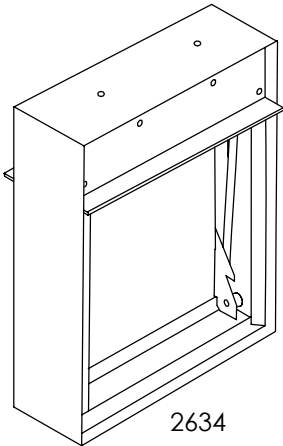


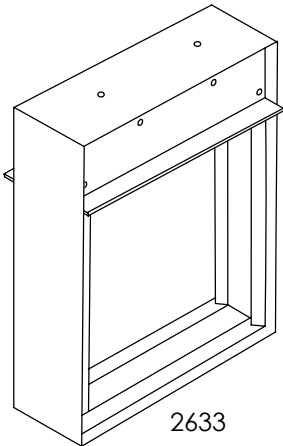
Fire Rated Submittal

Standard Frame 1 1/2 Hour Curtain-Type Fire Damper Spring Actuated Out-of-Airstream

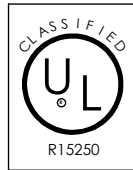
MODEL: 2633, 2634 Series



2634



2633



Standard Features:

- Square or rectangular spring actuated curtain-type fire damper for vertical or horizontal mount
- 4 1/4" standard roll formed frame with out-of-airstream blade
- Designed for use in wall, floors, and partitions with fire resistance rating of 1 1/2 hours or less (for ceiling application, see 2700 Series)
- UL listed and tested in accordance with UL Standard 555
- 1 1/2 hour fire resistance rating
- Building materials rated 2 Hours or less
- CSFM California State Fire Marshal listed
- Interlocking steel roll-formed blade
- Blade lock to secure blades once product is activated
- Damper manufactured from corrosion tested galvanized mild steel (G-90)
- 165° replaceable fusible link (#50)
- Maximum dimensions 60" W, 52" H

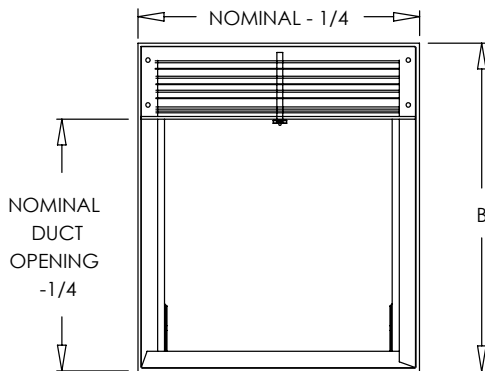
Options:

- Vertical mount only without spring actuator and blade lock (2633)
- Stainless steel
- Sleeves
- Fractional, exact O.D. dimensions
- 212° fusible link (#52)
- ETL link (#56)

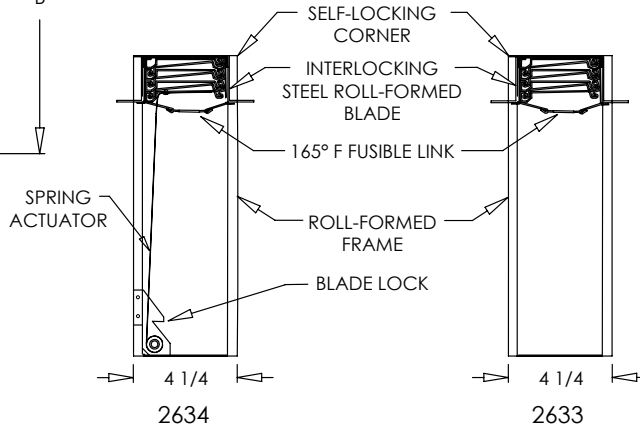
Finishes:

STANDARD COLORS

- Galvanized



2633 & 2634



2634

2633

2633 & 2634 Frame Height

Duct Size	Height (B)
4"-7"	+ 3/4"
8"-16"	+1 3/4"
17"-26"	+2 3/4"
27"-35"	+3 3/4"
36"-44"	+4 3/4"
45"-52"	+5 3/4"

Example: Height (B) for 20" duct would be 22 3/4".

Additional Information:

Submittal Notes

Project / Location:

Engineer:

Architect:

Contractor: