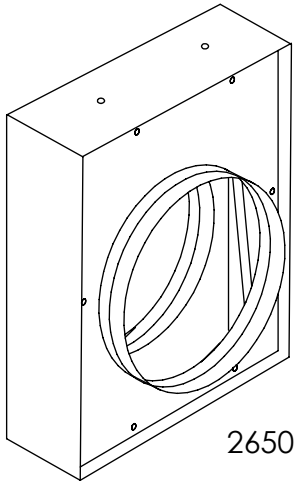
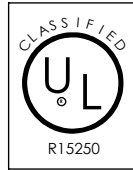


Fire Rated Submittal

Standard Frame 1 1/2 Hour Round Curtain-Type Fire Damper
 Spring Actuated Out-of-Airstream
 MODEL: 2650, 2649 Series



2650



Standard Features:

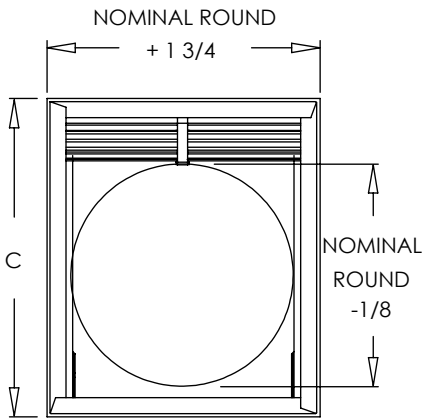
- Spring actuated curtain-type fire damper with 2 1/4" round connection for horizontal or vertical mount
- 4 1/4" standard roll formed frame with out-of-airstream blade (G-90 22ga)
- Designed for use in wall, floors, and partitions with fire resistance ratings of 1 1/2 hours or less (for ceiling application, see 2700 Series)
- UL listed and tested in accordance with UL Standard 555
- 1 1/2 hour fire resistance rating
- Building materials rated 2 hours or less
- CSFM California State Fire Marshal listed
- Interlocking steel roll-formed blades
- Blade lock to secure blades once product is activated
- Damper manufactured from corrosion tested galvanized mild steel (G-90 22ga)
- 165° replaceable fusible link (#50)
- Available in 4" through 52" round

Options:

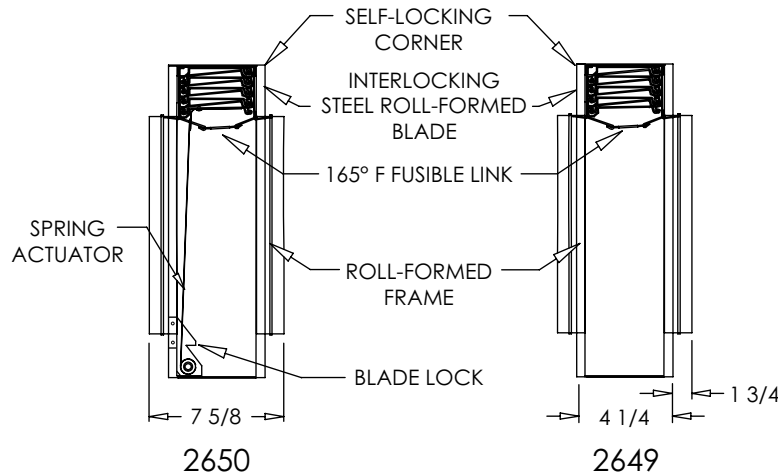
- Vertical mount only without spring actuator and blade lock (2649)
- Stainless steel
- Sleeves
- 212° fusible link (#52)
- ETL link (#56)

Finishes:

- STANDARD COLORS
- Galvanized



2649 & 2650



2649 & 2650 Dimensions

Duct Size	Height (C)
4"-7"	+1 3/4"
8"-16"	+2 3/4"
17"-26"	+3 3/4"
27"-35"	+4 3/4"
36"-44"	+5 3/4"
45"-52"	+6 3/4"

Example: Height (C) for 20" duct would be 23 3/4".

Additional Information:

Submittal Notes

Project / Location:	
Engineer:	
Architect:	
Contractor:	