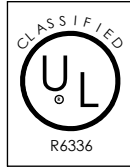
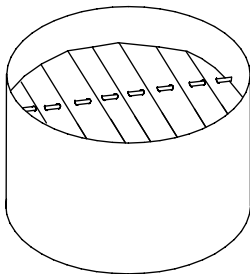


2652
OPEN POSITION



Standard Features:

- True round fire damper
- Round steel frame
- Stainless steel curtain
- Horizontal or vertical installation
- Designed for use in wall, floors, and partitions with fire resistance ratings of 1 1/2 hours or less (for ceiling application, see 2700 Series)
- UL listed and tested in accordance with UL Standard 555
- 1 1/2 hour fire resistance rating
- Damper construction meets NFPA 90A requirement
- 165° replaceable fusible link (#50)
- Available in 4" through 12" round



2652
CLOSED POSITION

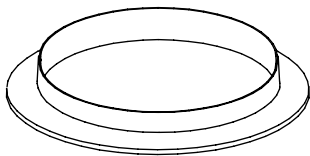
Options:

- Mounting Angle Ring (MAR)
- 212° fusible link (#52)
- ETL link (#56)

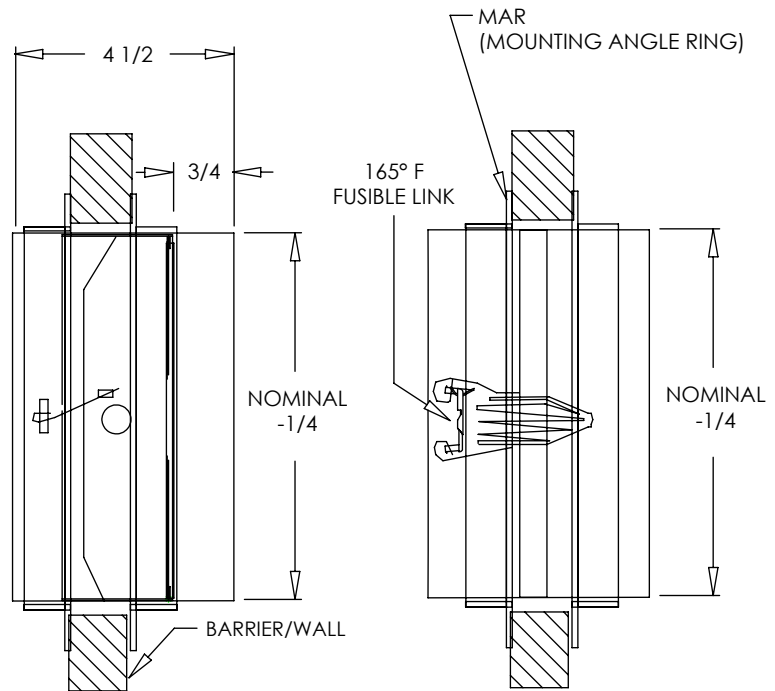
Finishes:

STANDARD COLORS

- Galvanized



MAR
MOUNTING ANGLE RING



2652

Additional Information:

Submittal Notes

Project / Location:	
Engineer:	
Architect:	
Contractor:	