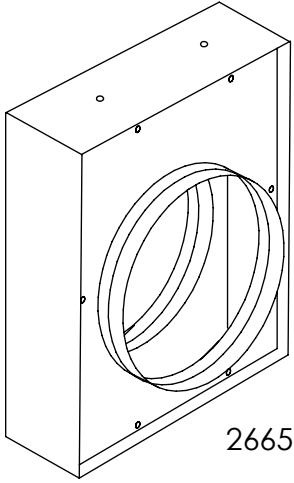
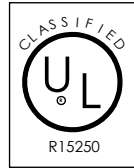


# Fire Rated Submittal

Standard Frame 3 Hour Round Curtain-Type Fire Damper Out-of-Airstream  
 MODEL: 2665 Series



2665



### Standard Features:

- Round curtain-type fire damper for vertical mount only
- 4 1/4" standard roll formed frame with out-of-airstream blade
- Designed for use in wall, floors, and partitions with fire resistance ratings of 3 hours or less (for ceiling application, see 2700 Series)
- UL listed and tested in accordance with UL Standard 555
- 3 hour fire resistance rating
- Building materials rated 4 Hours or less
- CSFM California State Fire Marshal listed
- Interlocking steel roll-formed blade
- Damper manufactured from corrosion tested galvanized mild steel (G-90)
- 165° replaceable fusible link (#50)
- Available in 4" through 52" round

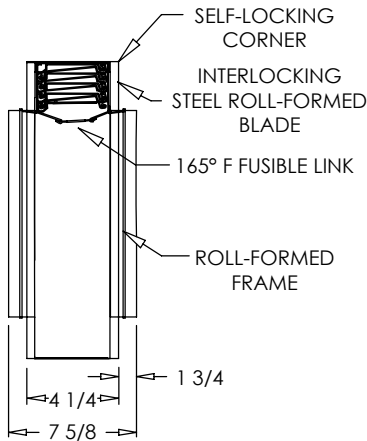
### Options:

- Stainless steel
- Sleeves
- 212° fusible link (#52)
- ETL link (#56)

### Finishes:

STANDARD COLORS

- Galvanized

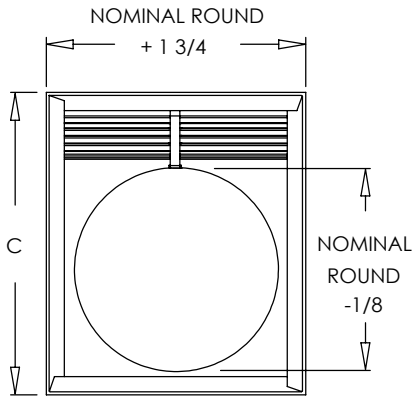


2665

### 2665 Frame Height

Duct Size	Height (C)
4"-7"	+1 3/4"
8"-16"	+2 3/4"
17"-26"	+3 3/4"
27"-35"	+4 3/4"
36"-44"	+5 3/4"
45"-52"	+6 3/4"

**Example:** Height (C) for 20" duct would be 23 3/4".



2665

### Additional Information:

### Submittal Notes

Project / Location:	
Engineer:	
Architect:	
Contractor:	