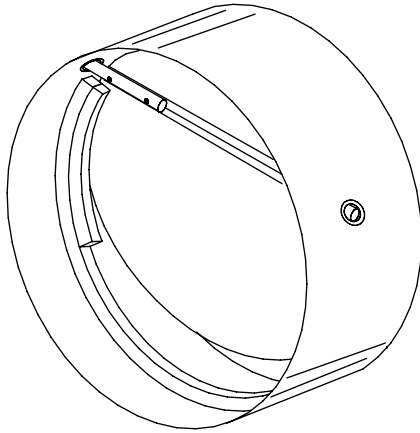


# Damper Louver Submittal

## Round Vertical Backdraft Damper

MODEL: 3580 Series



### Standard Features:

- Dampers are opened by air pressure differential and closed by gravity
- 16 gauge channel frame
- Galvanized blade is 26 gauge and vee stiffened for extra strength and stability
- Out of airstream linkage
- Square steel pivot pins in nylon bushings
- Foam blade stop ring holds noise to a minimum
- Minimum size 6"
- Maximum size 24"
- Galvanized

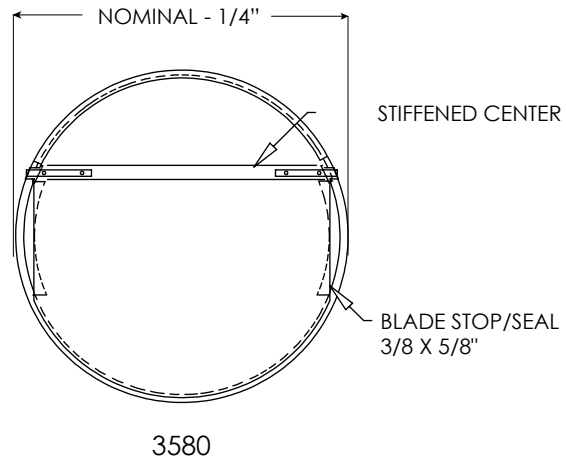
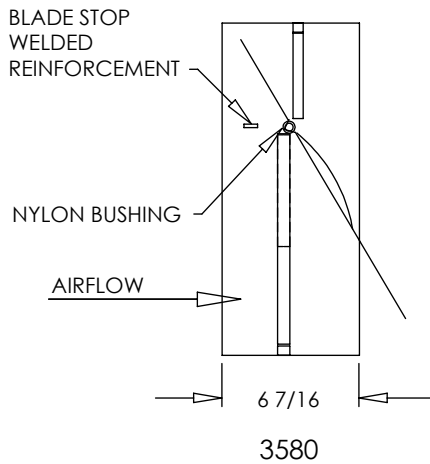
### Options:

- Outside mounting flange – must specify flange placement and height
- Extended Sleeve – must specify sleeve length and gauge thickness

### Finishes:

STANDARD COLORS

- Galvanized



### Additional Information:

### Submittal Notes

Project / Location:	
Engineer:	
Architect:	
Contractor:	