

Standard Features:

- Extruded aluminum construction
- Standard flange frame
- 4" depth
- Louvers set at 45° on 4" centers
- Storm bend on louvers to prevent water from entering
- Water channel in side frame for drainage
- Water slots in bottom frame for drainage
- Bird screen (1/2" x 1/2")
- Blades run parallel to first dimension given
- Minimum size 6"x6"
- Maximum one piece size 96"x60"
- Driftwood Tan

Options:

- Flush mount channel frame (4525-CF)
- Offset flange frame, must specify flange placement (4525-OF)
- Insect Screen (1/16" x 1/16") (4525-IS)
- Removable bird screen (4525-RS)
- Fractional, exact I.D. and O.D. dimensions

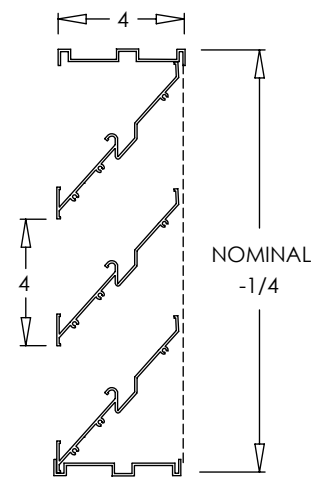
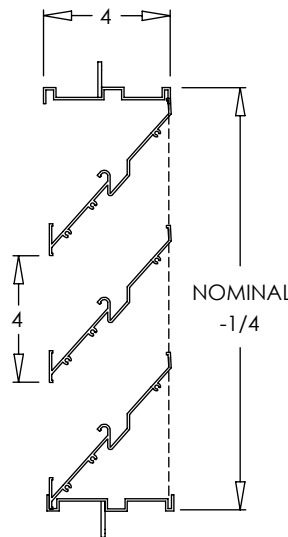
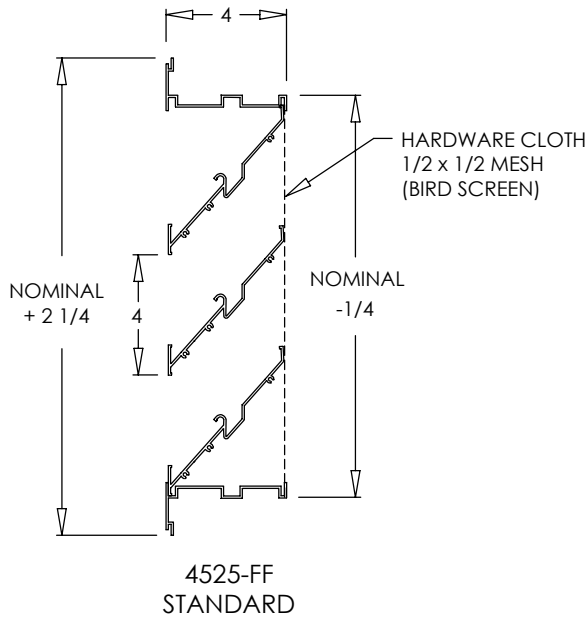
Finishes:

STANDARD COLORS

- Soft White
- Driftwood Tan
- Mill Finish

DESIGNER COLORS

- Black
- Bronze
- Storm Gray
- Cement Gray
- Aluminum Paint
- Coffee Tan
- Warm White
- Glossy White



Additional Information:

Submittal Notes

Project / Location:	
Engineer:	
Architect:	
Contractor:	