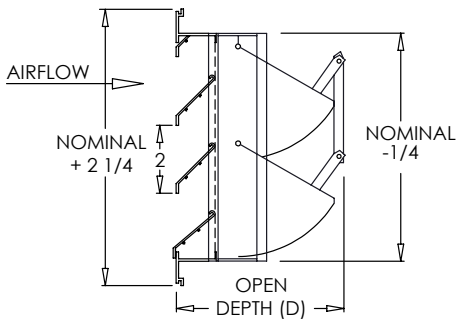
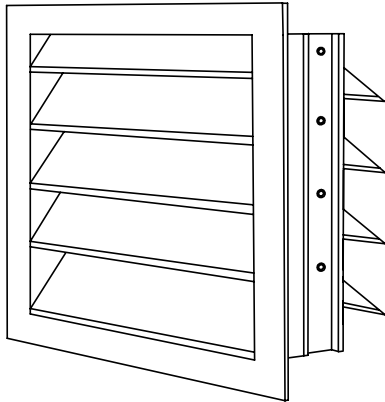


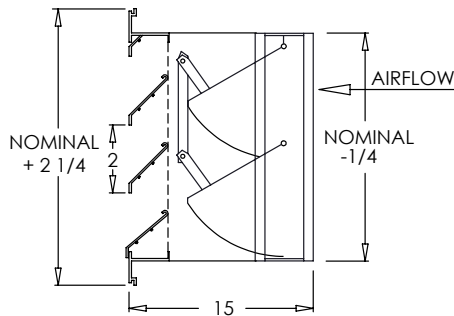
Damper Louver Submittal

Combination Stationary 2" Outside Air Louver with Vertical Mount Pressure Relief Damper

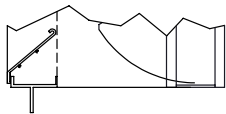
MODEL: 4550-3510 Series



4550-3510 INTAKE



4550-3510 EXHAUST



Offset Flange Frame
 4550-3510 EXHAUST OF



Flush Mount Channel Frame
 4550-3510 EXHAUST CF

Standard Features:

- Dampers and louvers can be combined with a 20 gauge steel sleeve to create an environment to regulate airflow in or out of a louver with an operable blade damper.
- Minimum size 6"x6"
- Maximum one piece size 24"x24" (For larger sizes see 4500-3550 Series)

4550:

- Extruded aluminum construction
- Storm bend on louvers to minimize water from entering behind louver
- Standard flange frame
- 2" depth
- Bird screen (1/2" x 1/2")
- Louvers set at 45° on 2" centers
- Blades run parallel to first dimension given
- Driftwood Tan

3510:

- Designed to open in negative or positive pressures for intake or exhaust air
- All aluminum construction
- Blade to blade linkage
- Foam tape sealed blade edges to dampen noise
- Single blades on dampers with a height of 10" or less
- Blades run parallel to first dimension given
- 1/4" pivot pins in nylon bearings
- Mill Finish

Options:

Adjustable counter balance arms mounted to center of blades. Adjustable weights can be positioned along arm for various opening pressures. (Available only on dampers with multiple blades.)

Flush mount channel frame (4550-CF-3510)

Offset flange frame, must specify flange placement (4550-OF-3510)

Insect Screen (4550-IS-3510)

Fractional, exact I.D. and O.D. dimensions

Finishes (louver only):

STANDARD COLORS

- Soft White
- Driftwood Tan
- Mill Finish

DESIGNER COLORS

- Black
- Bronze
- Storm Gray
- Cement Gray

- Aluminum Paint
- Coffee Tan
- Warm White
- Glossy White

4550-3510		4550-3510		4550-3510	
HEIGHT	OPEN DEPTH (D)	HEIGHT	OPEN DEPTH (D)	HEIGHT	OPEN DEPTH (D)
6"	7 3/4"	12"	9 3/8"	18"	10 1/8"
8"	9 3/4"	14"	10 1/4"	20"	9 1/4"
10"	11 3/4"	16"	9"	24"	9 5/8"

Additional Information:

Submittal Notes

Project / Location:

Engineer:

Architect:

Contractor: