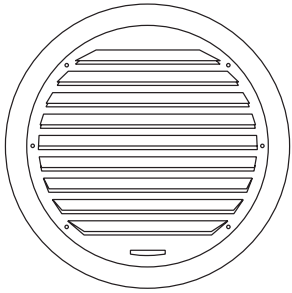


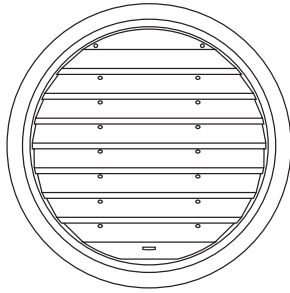
Damper Louver Submittal

Round Aluminum Vent Louver

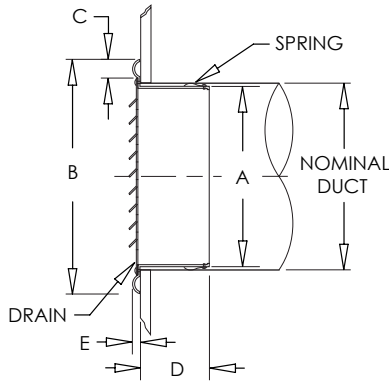
MODEL: 4901 Series



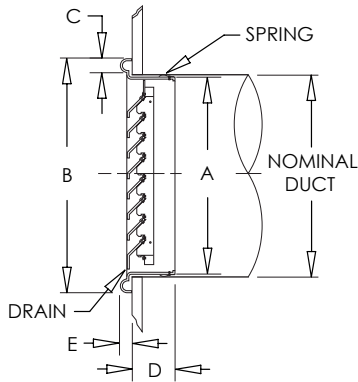
4901



4902



4901



4902

Standard Features:

- Lightweight aluminum vent louver
- Able to withstand wet and corrosive environments
- Mounting springs secure vent in duct
- Easily installed using only high grade silicon caulk (provided by others)
- Designed for duct sizes 3"-8"
- Clear Anodized Finish

Options:

- Round aluminum vent louver designed for duct sizes 10"-16" (4902)
- Insect Screen (4901-IS)

Finishes:

STANDARD COLORS

- Anodized

4901						
DUCT SIZE	FREE AREA	A	B	C	D	E
3"	.02 ft2	2 29/32"	4 13/16"	19/32"	1 3/8"	9/32"
4"	.04 ft2	3 13/16"	5 23/32"	19/32"	1 21/32"	9/32"
5"	.05 ft2	4 3/4"	6 21/32"	19/32"	1 25/32"	9/32"
6"	.08 ft2	5 23/32"	8	25/32"	2 3/4"	9/32"
7"	.11 ft2	6 11/16"	8 31/32"	25/32"	2 3/4"	9/32"
8"	.14 ft2	7 11/16"	10"	25/32"	2 31/32"	9/32"

4902						
DUCT SIZE	FREE AREA	A	B	C	D	E
10"	.19 ft2	9 21/32"	12 11/16"	1"	2 31/32"	13/32"
12"	.27 ft2	11 19/32"	14 21/32"	1"	2 31/32"	13/32"
14"	.37 ft2	13 19/32"	16 5/8"	1"	3 11/32"	19/32"
16"	.49 ft2	15 9/16"	18 19/32"	1"	3 11/32"	19/32"

Additional Information:

Submittal Notes

Project / Location:	
Engineer:	
Architect:	
Contractor:	