

Standard Features:

- Adjustable curved blade diffuser
- Nylon bushings on adjustable blades prevent metal on metal rattle
- Extruded aluminum surface mount frame with signature line marks
- Hinged perforated face with screwdriver access to release
- 3/16" holes on 1/4" staggered centers
- Square Collar
- Countersunk mounting holes with color matching Philips Posidriv screws
- Ceiling opening must be 4" larger in length and width than the nominal duct size
- Rust resistant pre-coat with durable powder finish
- Soft White

Options:

- Recessed screwdriver operated Opposed Blade Damper (500CB-0)
- 2" ADC compliant round collar with bead for ease of installation
- T-20 Tamper Proof Screws

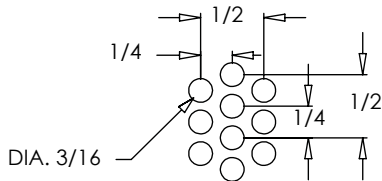
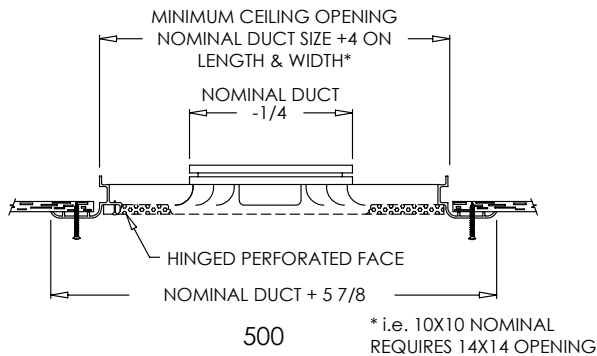
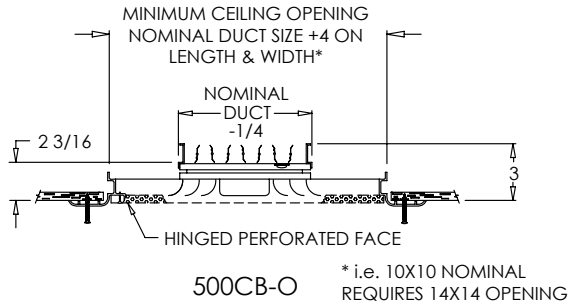
Finishes:

STANDARD COLORS

- Soft White
- Driftwood Tan

DESIGNER COLORS

- Black
- Bronze
- Storm Gray
- Cement Gray
- Aluminum Paint
- Coffee Tan
- Warm White
- Glossy White



Perforated Screen Detail

Additional Information:

Submittal Notes

Project / Location:	
Engineer:	
Architect:	
Contractor:	