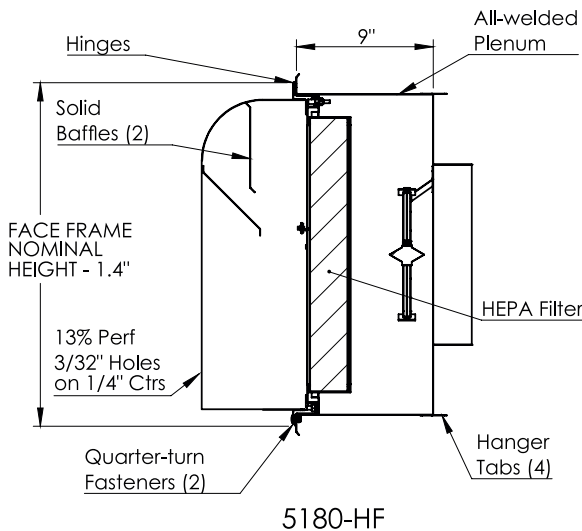
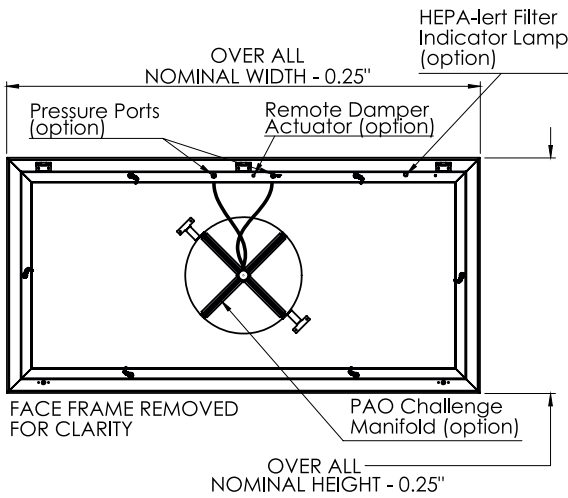
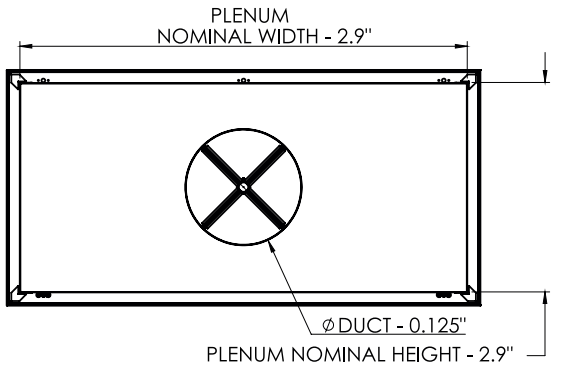


Commercial Submittal

Hinged Radial Diffuser with 90° Radial Flow and HEPA Filter

MODEL: 5180-HF



Standard Features:

- Type 304 stainless steel
- 90° Radial flow pattern for perimeter applications
- Curved perforated face design has 3/32" diameter holes on 1/4" staggered centers
- 13% Free Area
- HEPA filter
- Unique design of solid baffles in perforated face can handle large volumes of air with low initial face velocities and provide low aspiration and high ventilation rates
- Hinged perforated face allows easy access for cleaning; secured by 1/4 turn fasteners
- Standard unit designed for both lay-in T-Bar ceiling systems and surface mount applications
- Integral earthquake hanger tabs
- #4 satin polished finish

Options:

- 180° Radial flow pattern (5185-HF)
- Without HEPA Rack 9" plenum (5180)
- Type 316 Stainless
- Aluminum construction
- (1) Pressure Port
- (2) Pressure Port
- PAO Challenge Manifold (requires 2 Pressure Ports)

Inlet Options:

- Side Inlet
- End Inlet
- Rectangle Inlet
- Oval Inlet

Filter Options:

- ULPA Filter

LED Indicator Options (alerts user when a filter change is necessary):

- Battery
- 24V Supply

Additional Information:

Submittal Notes

Project / Location:	
Engineer:	
Architect:	
Contractor:	