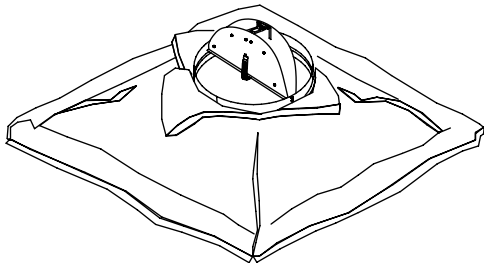
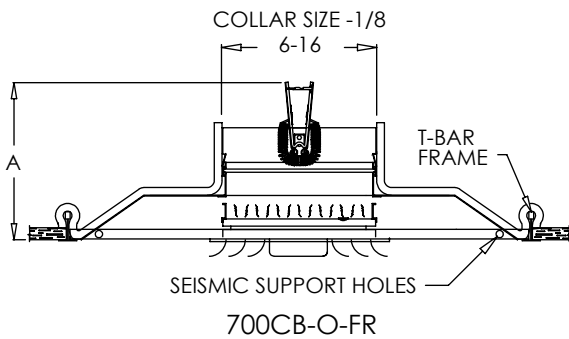
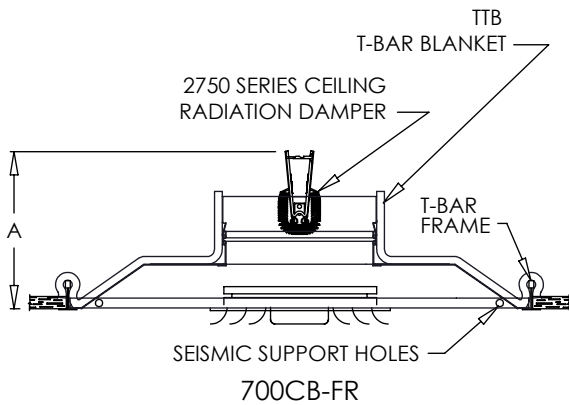
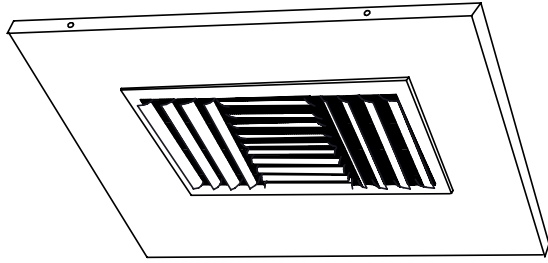


Fire Rated Submittal

Adjustable Curved Blade Diffuser in T-Bar Panel with UL Fire Resistance Classification
 MODEL: 700CB-FR Series



Standard Features:

- T-Bar FR assembly includes 2750 Series Ceiling Radiation Damper and TTB Series Thermal Blanket
- UL listed fire resistance T-Bar diffuser
- 3 hour fire resistance rating
- Building materials rated 3 hours or less
- 2X2 Panel Size
- Adjustable curved blade diffuser
- Five air patterns available
- Nylon bushings on adjustable blades prevent metal on metal rattle
- Diffuser available in sizes 6"x6" through 16"x16"
- Collar sizes available in 6", 7", 8", 9", 10", 12", 14", & 16"
- Standard collar diameter is the same as the diffuser size
- 2" ADC compliant round collar with bead for ease of installation
- Rust resistant pre-coat with durable powder finish
- Soft White

Options:

Recessed screwdriver operated Opposed Blade Damper (700CB-0-FR)

Air Pattern Options:

- | | |
|----------------------------|-----------------------|
| 700CB-10A – One Way | 700CB-30A – Three Way |
| 700CB-20A – Two Way | 700CB-30D – Three Way |
| 700CB-20D – Two Way Corner | 700CB-40 – Four way |

Finishes:

STANDARD COLORS

- Soft White
- Driftwood Tan

DESIGNER COLORS

- Black
- Bronze
- Storm Gray
- Cement Gray
- Aluminum Paint
- Coffee Tan
- Warm White
- Glossy White

| Maximum Product Height | |
|------------------------|------------|
| DAMPER SIZE | HEIGHT (A) |
| 6" | 6 1/2" |
| 7" | 7" |
| 8" | 7 1/2" |
| 9" | 8" |
| 10" | 8 1/2" |
| 12" | 9 1/2" |
| 14" | 10 1/2" |
| 16" | 11 1/2" |



Additional Information:

Submittal Notes

| | |
|---------------------|--|
| Project / Location: | |
| Engineer: | |
| Architect: | |
| Contractor: | |