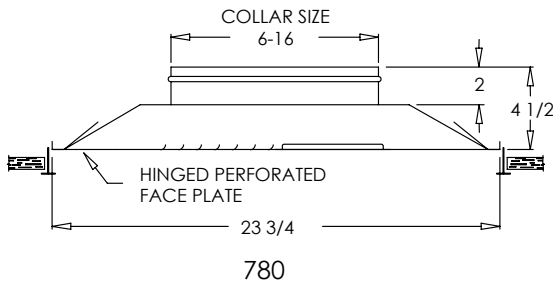


Standard Features:

- Perforated face diffuser with adjustable pattern controllers
- Spring push release hinge down face
- Airflow can be adjusted to 1, 2, 3, or 4-way patterns
- 3/16" holes on 1/4" staggered centers
- Collar sizes available in 6", 7", 8", 9", 10", 12", 14", & 16"
- 2" ADC compliant round collar with bead for ease of installation
- Rust resistant pre-coat with durable powder finish
- Soft White

Options:

- BD – Field installable Bowtie Damper, available on even sizes 6"-14"
- OBR - Opposed Blade Radial Damper (Duct Mount Only)
- Square Collar
- Premium 3" round collar with bead (780-3in)
- Black Pan – Back pan powder coated black to reduce visibility into ductwork
- TVB – Thermal Vapor Blanket
- NGD – Narrow ceiling grid dimples for 9/16" T-Rails, changes O.D. to 23 29/32"
- Preformed, contour molded fiberglass back with a foil barrier backing, compatible with 6-16" spin-in collar supplied by others (781)



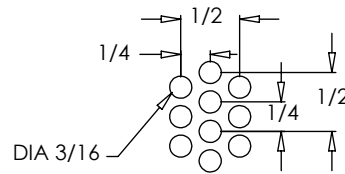
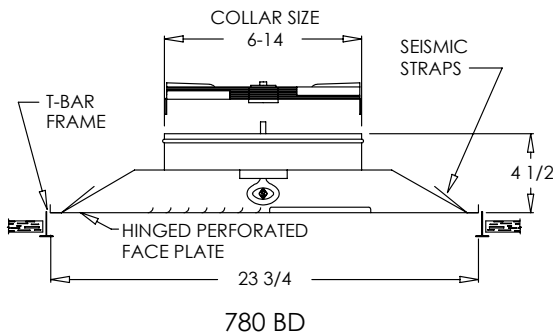
Finishes:

STANDARD COLORS

- Soft White
- Driftwood Tan

DESIGNER COLORS

- Black
- Bronze
- Storm Gray
- Cement Gray
- Aluminum Paint
- Coffee Tan
- Warm White
- Glossy White



Perforated Screen Detail

BD

Open



Closed



Additional Information:

Submittal Notes

Project / Location:	
Engineer:	
Architect:	
Contractor:	