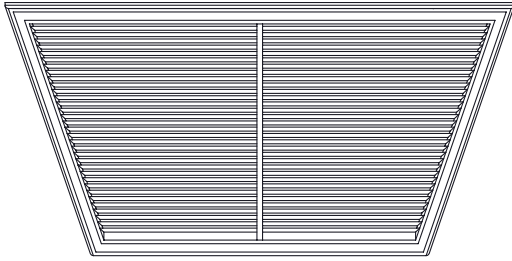


# Commercial Submittal

## Fixed 45° Aluminum Blade T-Bar Return Air Grille

MODEL: 905T



### Standard Features:

- Fixed 45° aluminum airfoil blade T-Bar lay-in return air grille
- Extruded aluminum frame with signature line marks
- Square collar designed for 22" x 22" duct
- Rust resistant pre-coat with durable powder finish
- Soft White

### Options:

- Recessed screwdriver operated Opposed Blade Damper (905T-0)
- 2" ADC compliant round collar with bead for ease of installation
- Premium 3" round collar with bead
- 1 x 2 T-Bar (10" x 22" duct)
- 2 x 4 T-Bar (22" x 46" duct)

### Finishes:

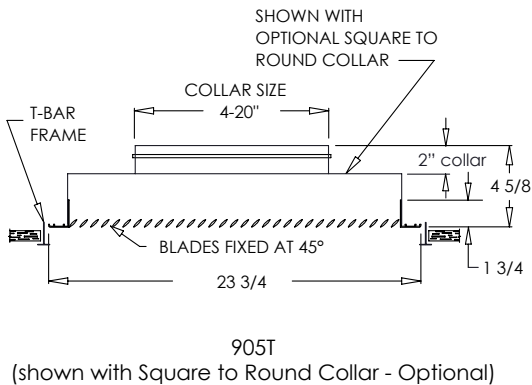
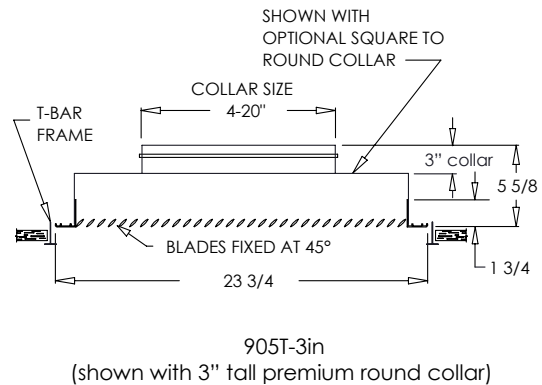
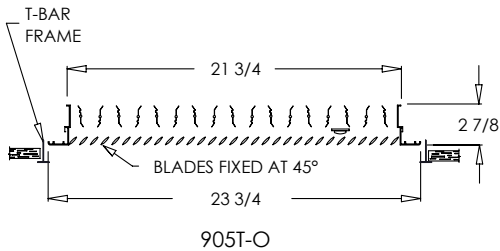
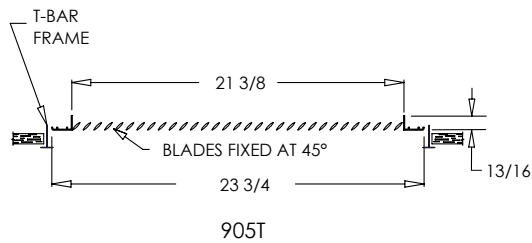
#### STANDARD COLORS

- Soft White
- Driftwood Tan

#### DESIGNER COLORS

- Black
- Bronze
- Storm Gray
- Cement Gray

- Aluminum Paint
- Coffee Tan
- Warm White
- Glossy White



### Additional Information:

### Submittal Notes

Project / Location:	
Engineer:	
Architect:	
Contractor:	