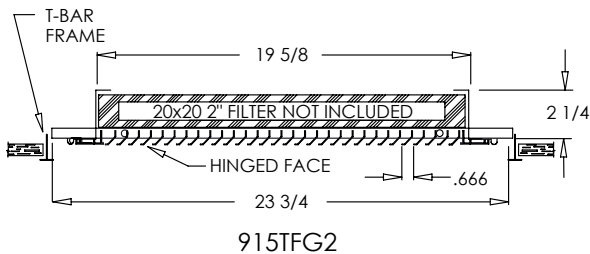


Standard Features:

- Fixed 45° extruded aluminum bar blades
- Hinged removable extruded aluminum face frame with signature line marks
- Face set in an outer T-Bar filter grille frame
- Hand operated lever for easy filter access
- Center margins are mounted on the backside of the grille for a streamlined continuous look
- Design conceals filter from view
- Square collar designed for 20" x 20" duct
- Holds up to a 2" filter (not included)
- Rust resistant pre-coat with durable powder finish
- Soft White

Options:

- 2" ADC compliant round collar with bead for ease of installation
- Premium 3" round collar with bead (915TFG-3in)
- NGD – Narrow ceiling grid dimples for 9/16" T-Rails, changes O.D. to 23 15/16"
- 4" Filter capacity
- 1 x 2 T-Bar (8" x 20" duct)
- 2 x 4 T-Bar (20" x 44" duct)



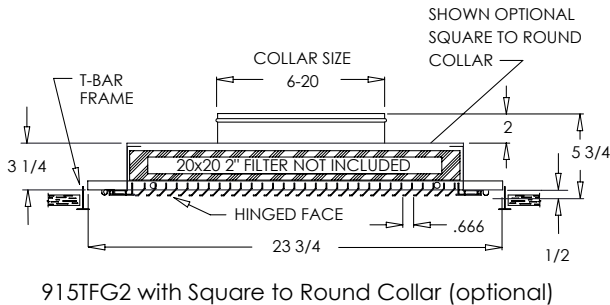
Finishes:

STANDARD COLORS

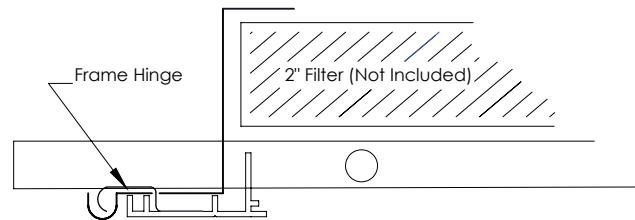
- Soft White
- Driftwood Tan

DESIGNER COLORS

- Black
- Bronze
- Storm Gray
- Cement Gray
- Aluminum Paint
- Coffee Tan
- Warm White
- Glossy White



915TFG Frame Detail



Product Notes:

Filter grilles are manufactured 3/16" undersized nominal duct (outside dimension) for ease of installation. Air filter should be 1/4" to 1/2" undersize. Verify with air filter manufacturer for air specification to ensure a proper fit. Shoemaker filter grilles allow for installation of larger thickness filters (we offer 2" and 4" filter depths on specific models) which can reduce pressure drop on the overall system, improving air flow through the heat exchanger and allowing more time between filter changes. Contact customer service for more information.

Additional Information:

Submittal Notes

Project / Location:	
Engineer:	
Architect:	
Contractor:	